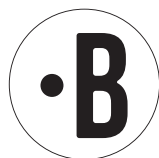
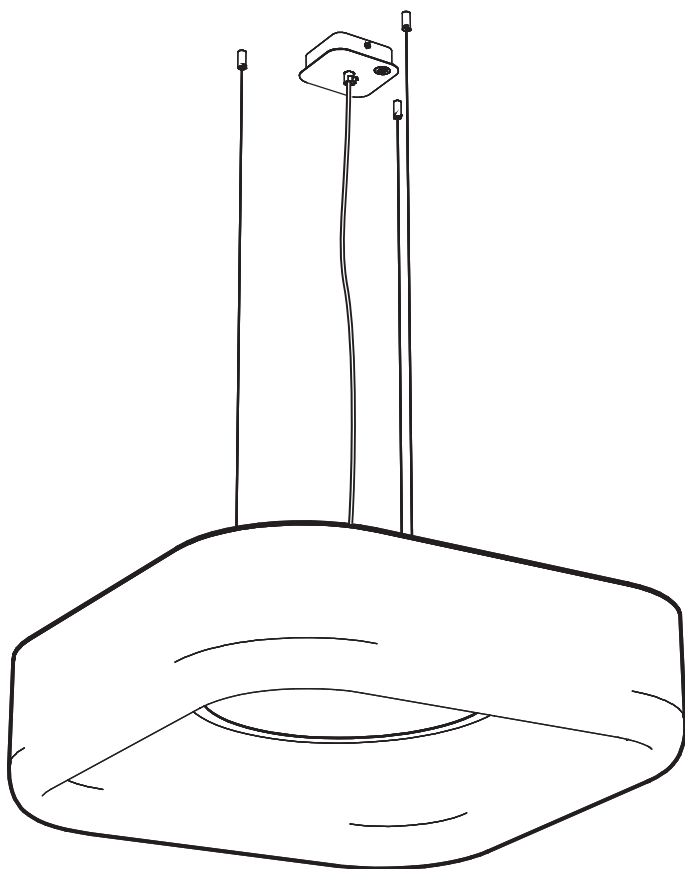
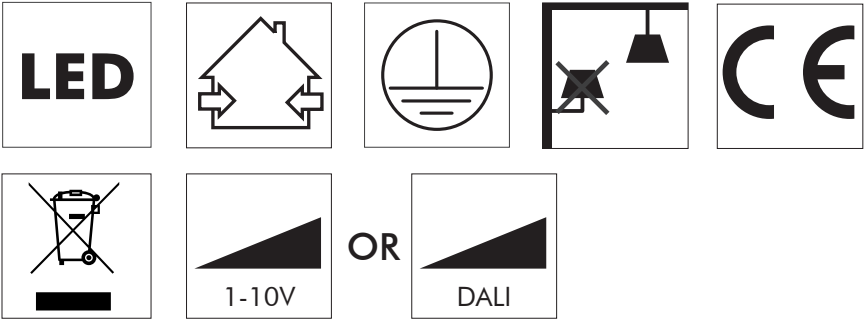


BuzziJet Square Ceiling Suspended S|M Ceiling Mounted S|M

INSTALLATION MANUAL
230V



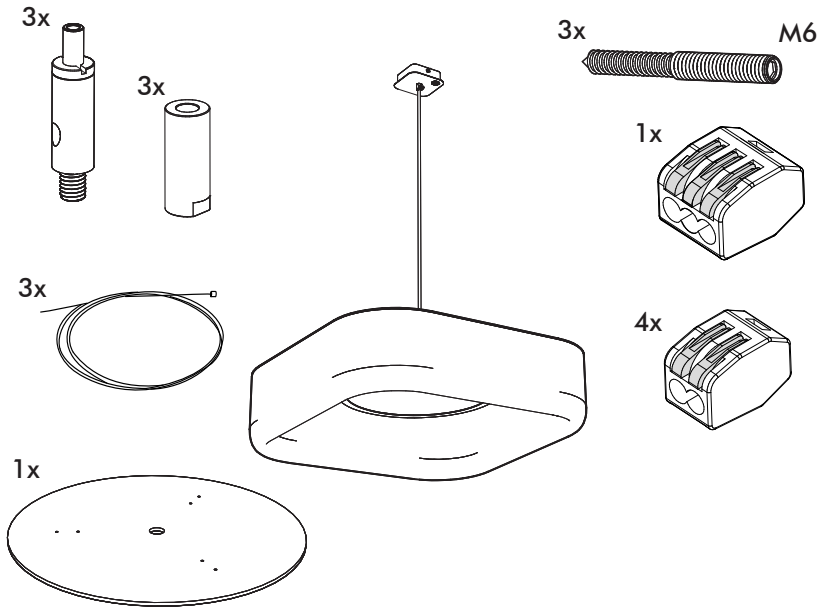
Technical info



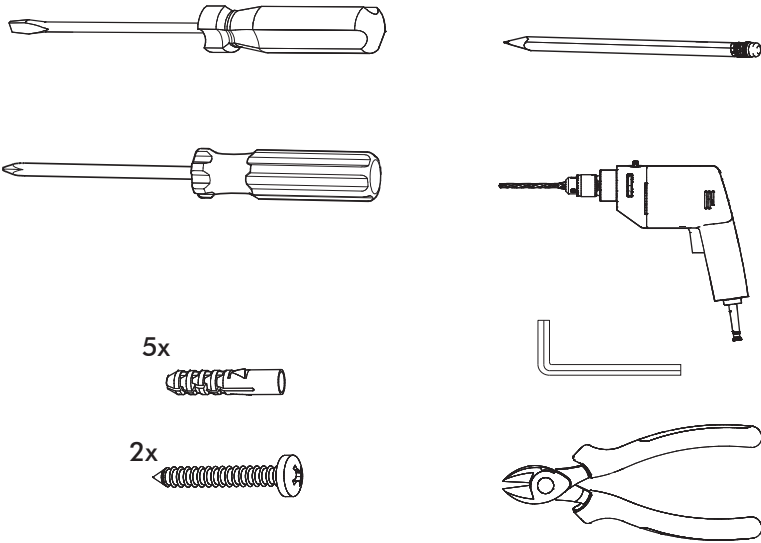
Environmental Protection

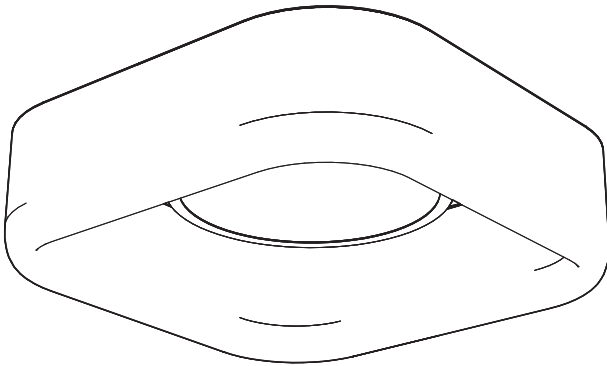
Waste electrical products should not be disposed of with household waste. Please recycle where facilities exist. Check with your Local Authority or retailer for recycling advice.

⚠ The light source of this luminaire is not replaceable; when the light source reaches its end of life the whole luminaire shall be replaced.

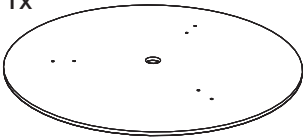


Excluded





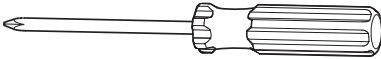
1x



3x



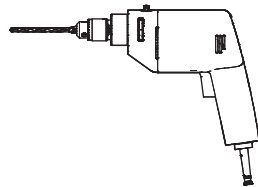
Excluded



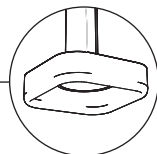
3x



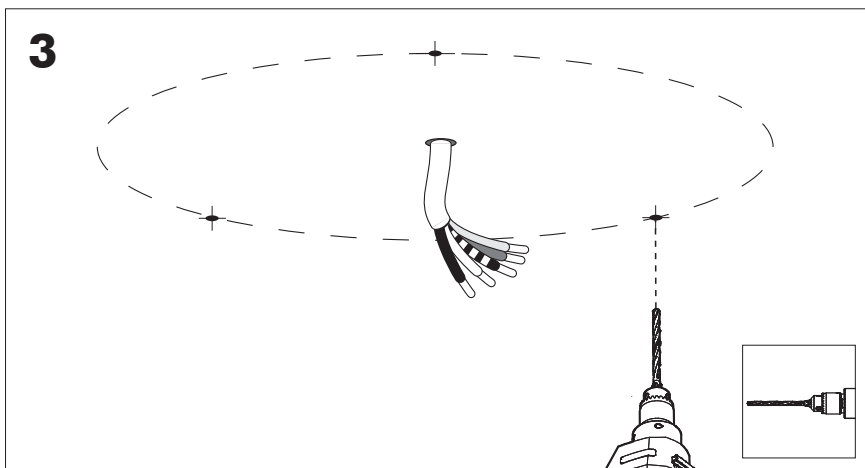
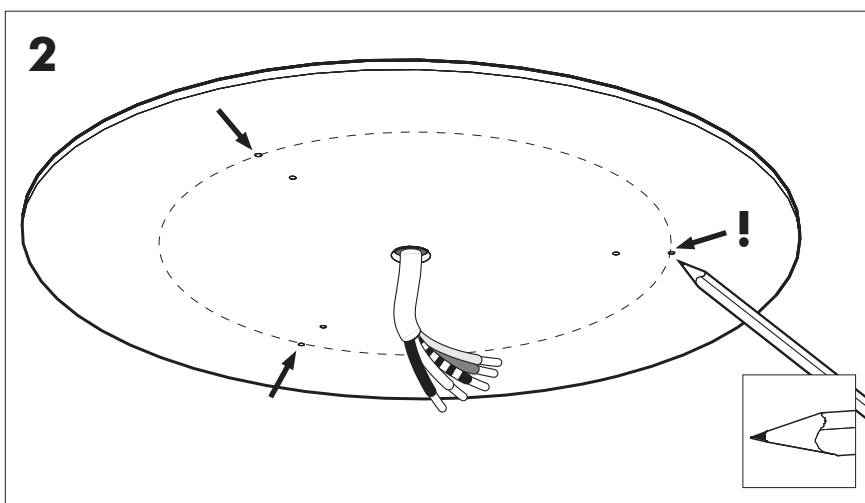
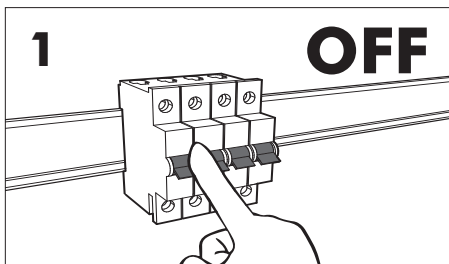
3x



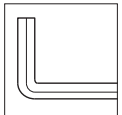
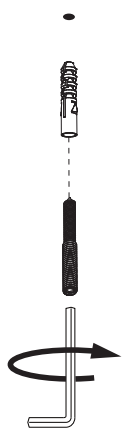
BuzziJet Square Ceiling Suspended Straight



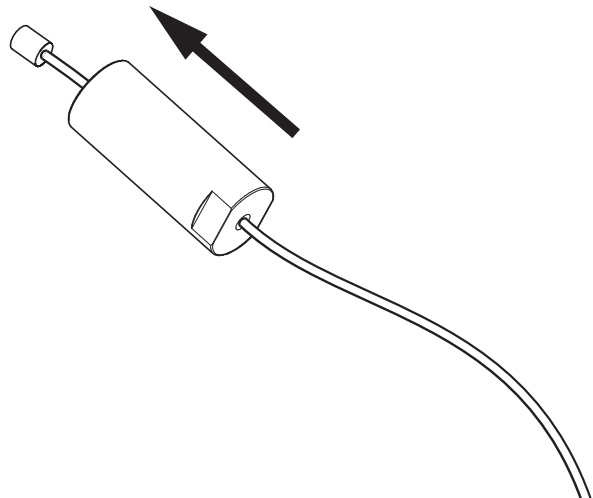
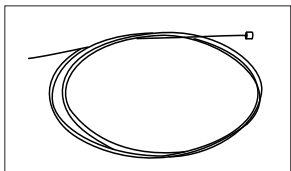
2 PERS. 



4

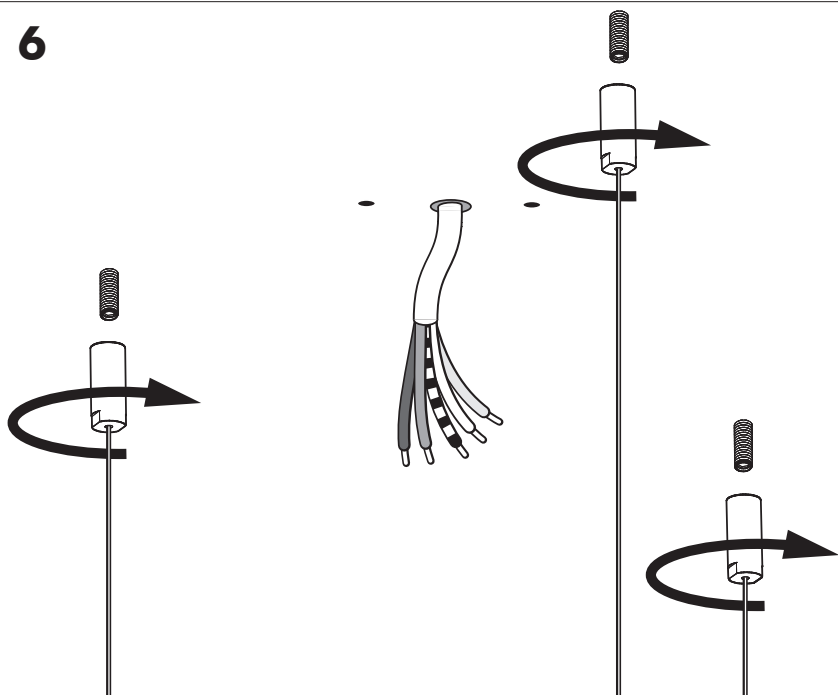


5

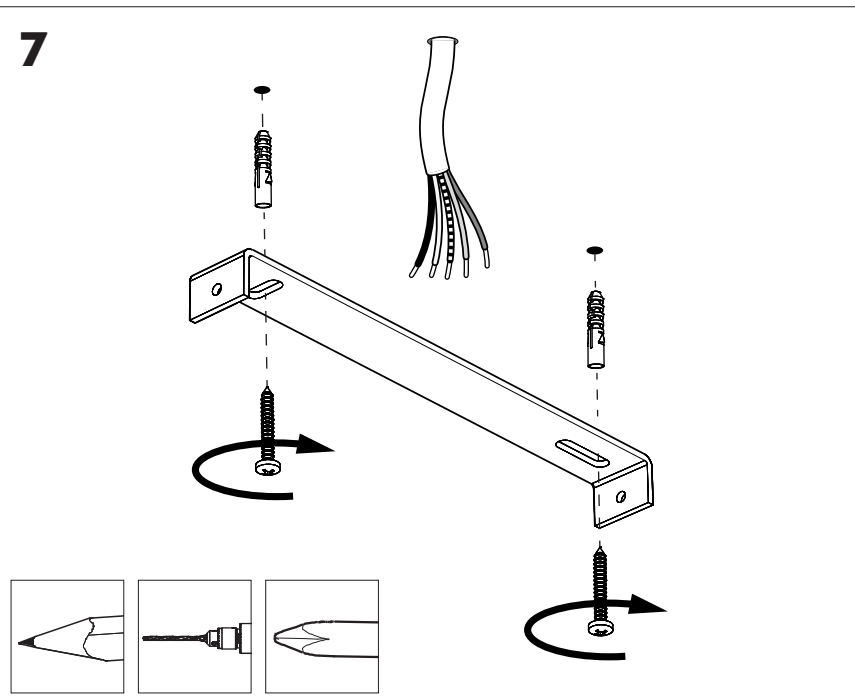


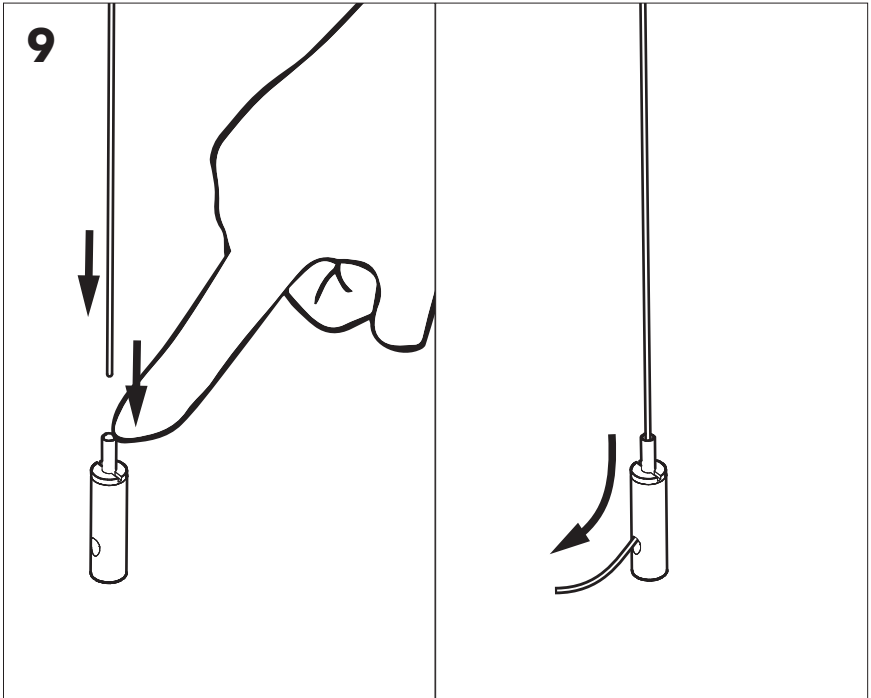
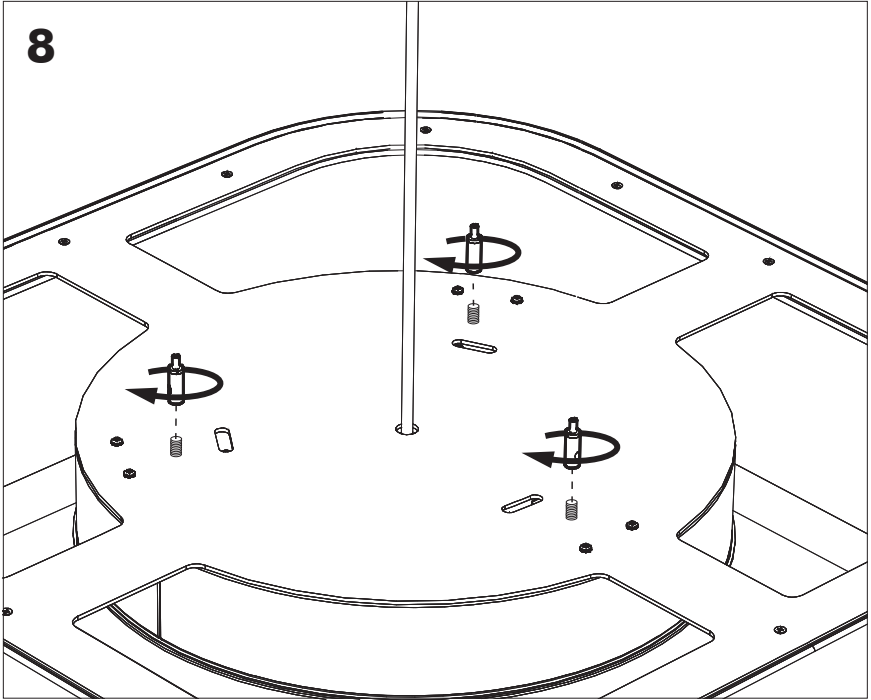
6

6

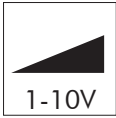


7





10a



1-10V



DALI



DMX



DST

Connection including dimmable function



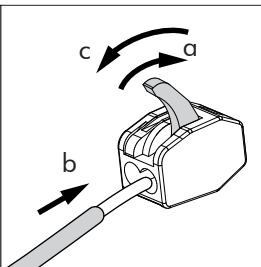
1-10V

Dim+

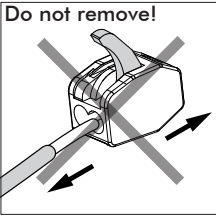
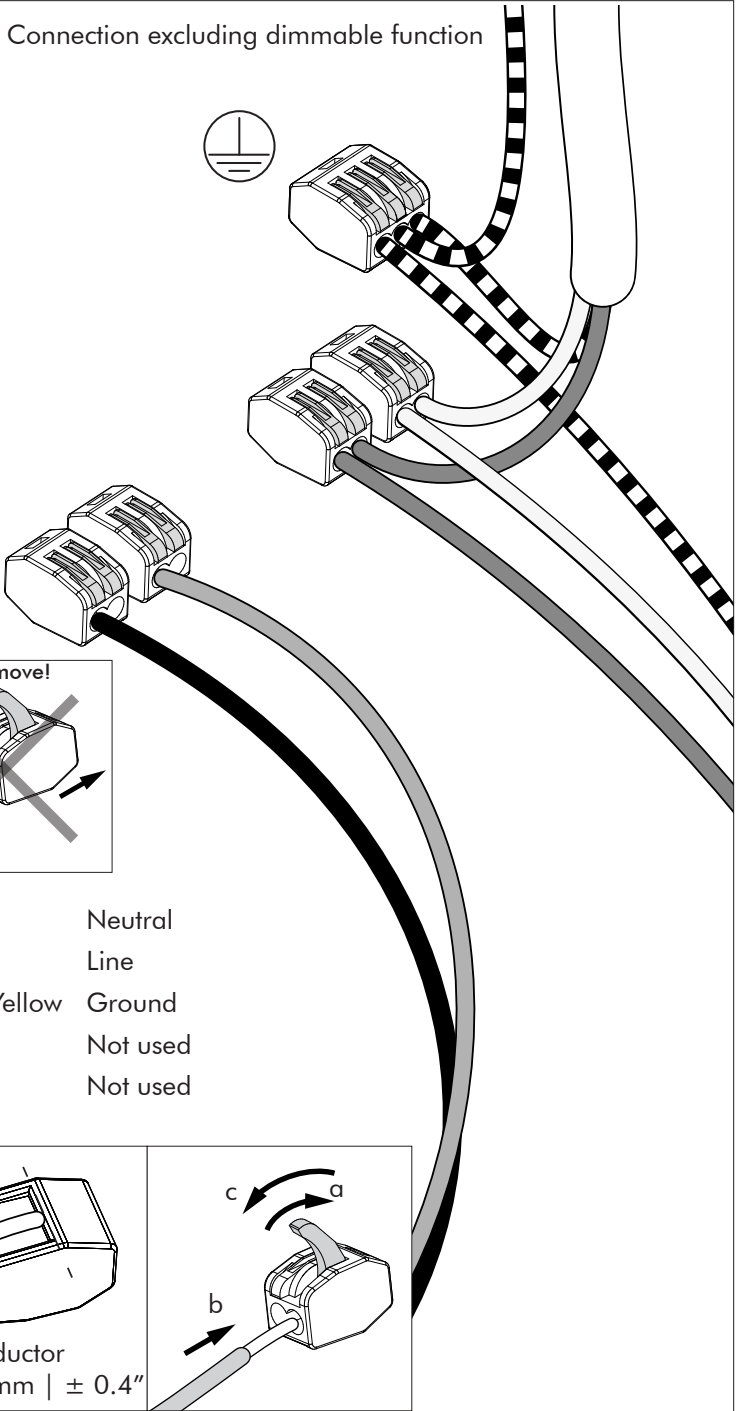
Dim-

- | | |
|--------------|---------|
| Blue | Neutral |
| Brown | Line |
| Green/Yellow | Ground |
| White | DIM - |
| Black | DIM + |

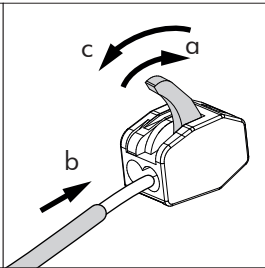
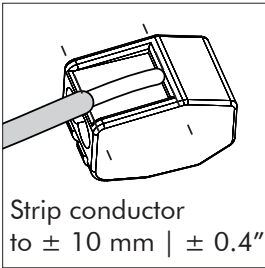
Strip conductor
to $\pm 10 \text{ mm}$ | $\pm 0.4''$



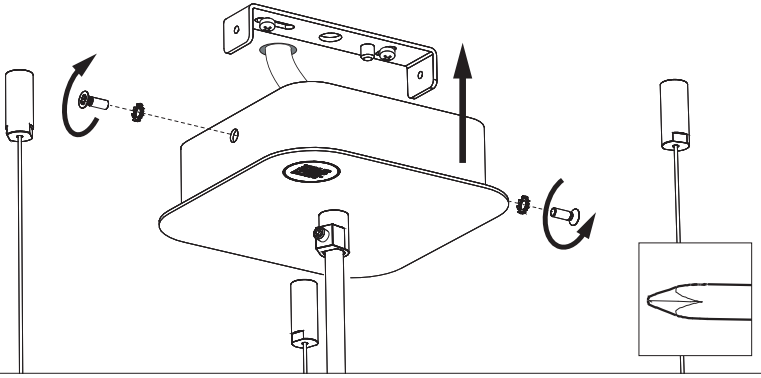
10b Connection excluding dimmable function



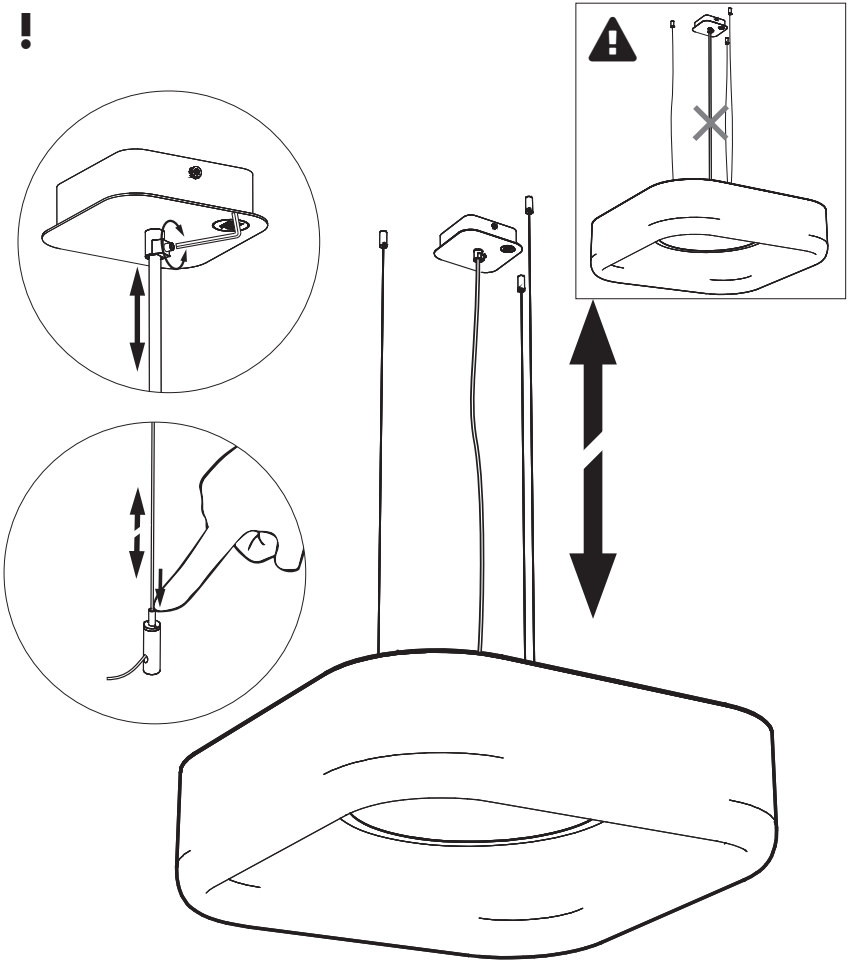
| | |
|--------------|----------|
| Blue | Neutral |
| Brown | Line |
| Green/Yellow | Ground |
| White | Not used |
| Black | Not used |



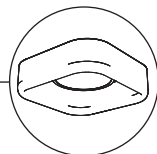
11



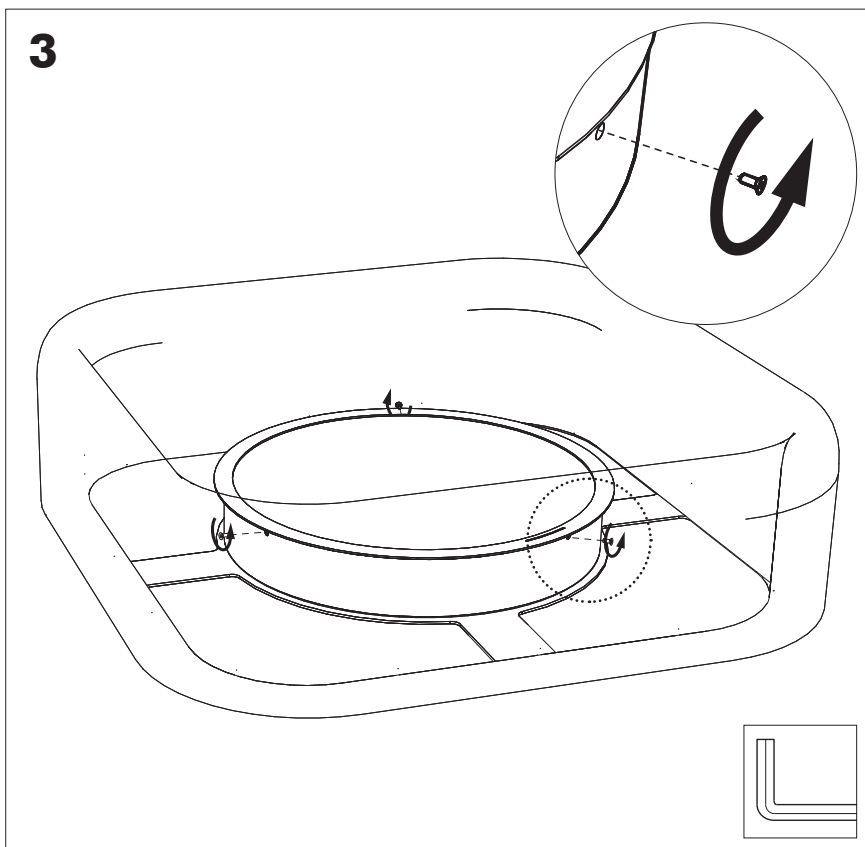
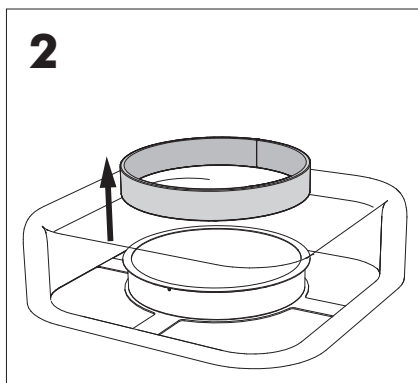
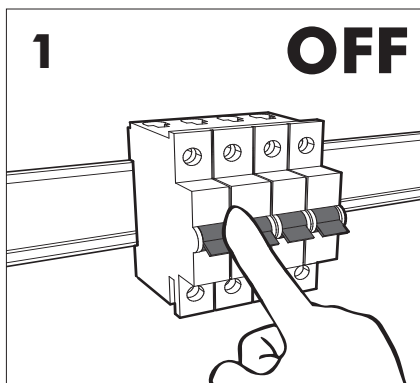
!



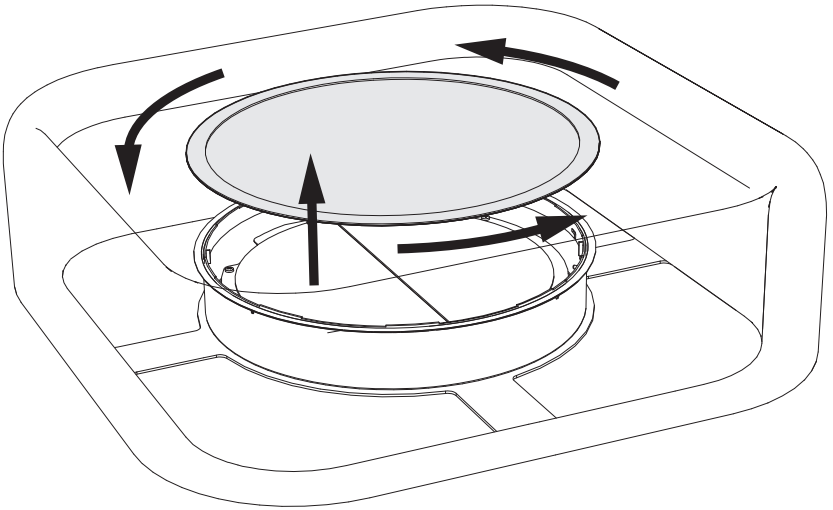
BuzziJet Square Ceiling Mounted



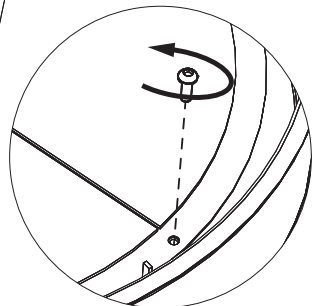
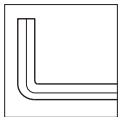
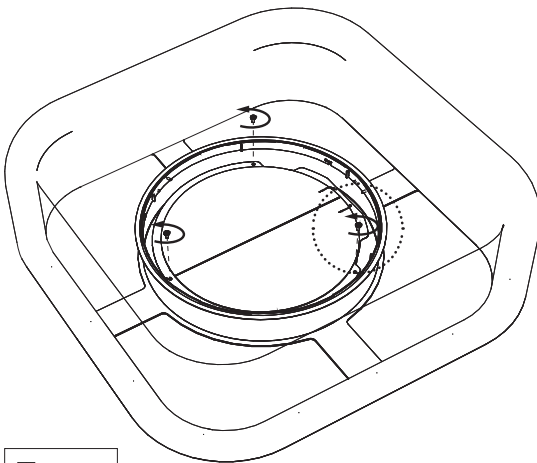
1 PERS. 



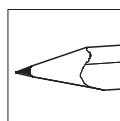
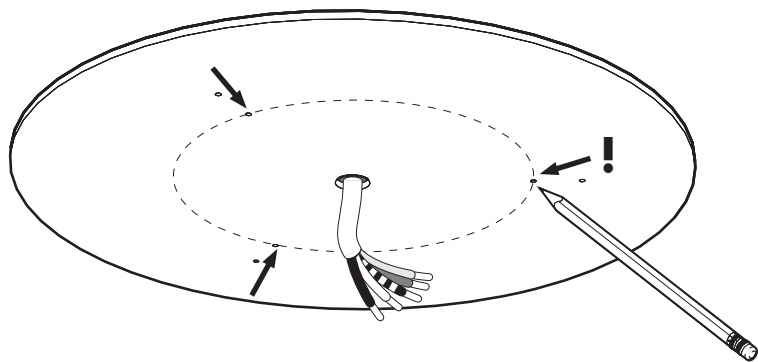
4



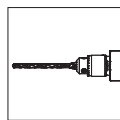
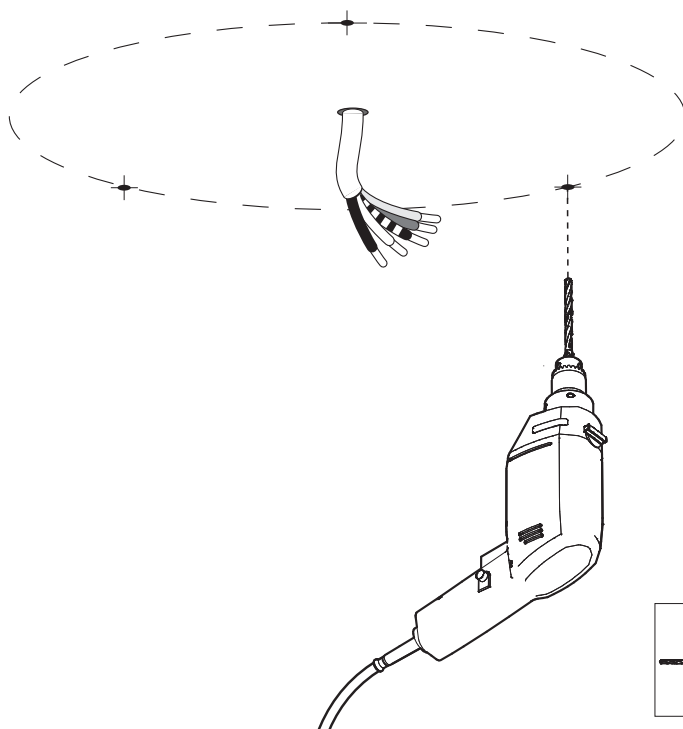
5



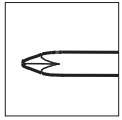
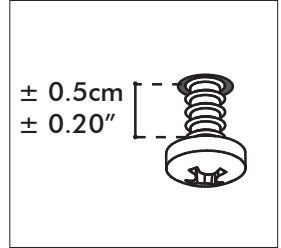
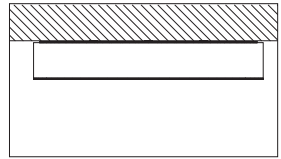
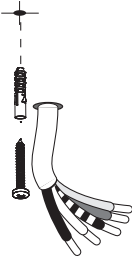
6



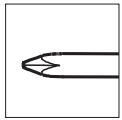
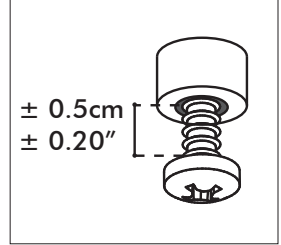
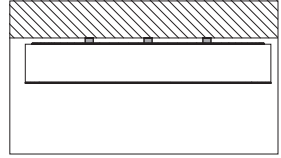
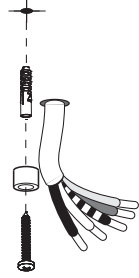
7



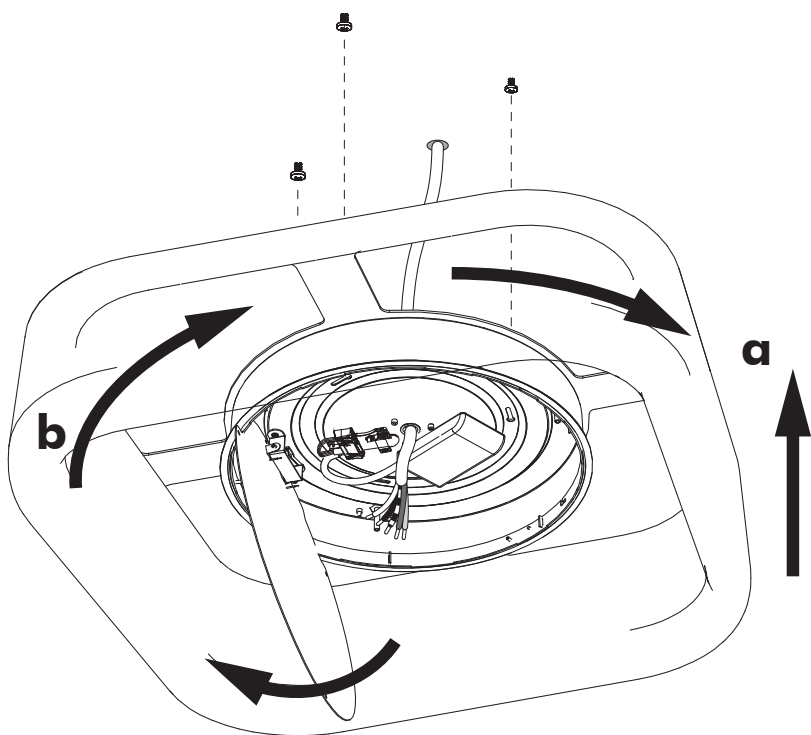
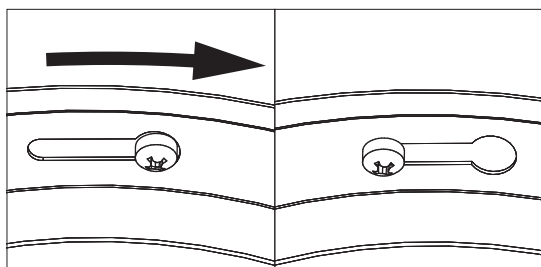
8a



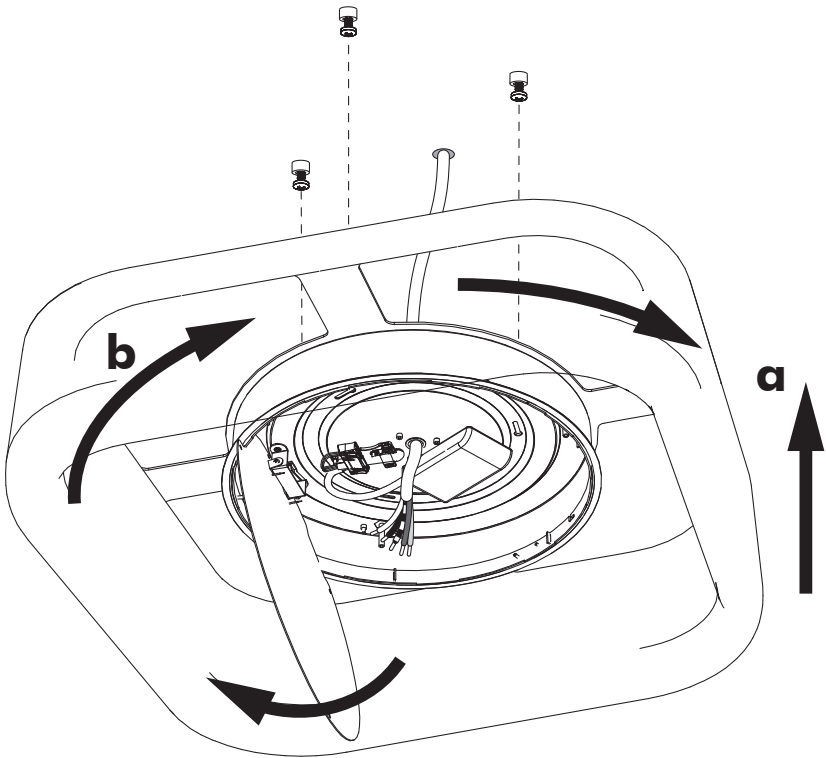
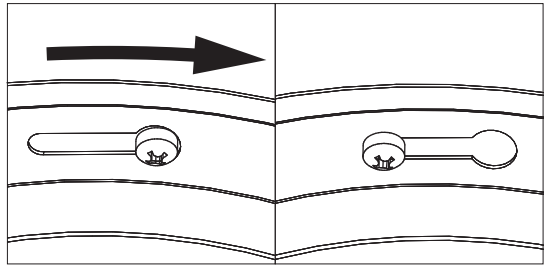
8b



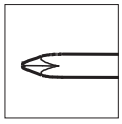
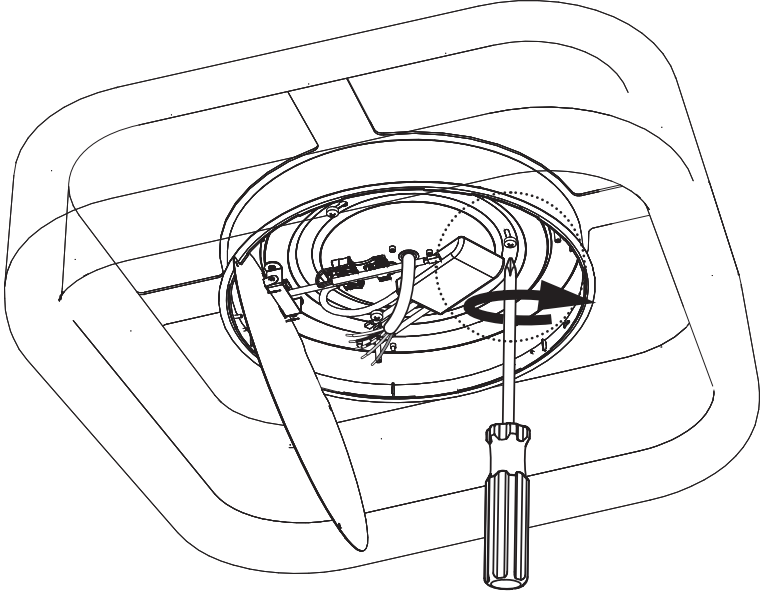
9a



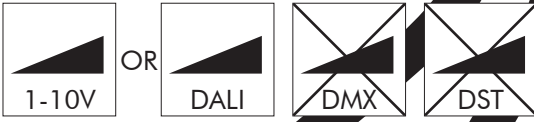
9b



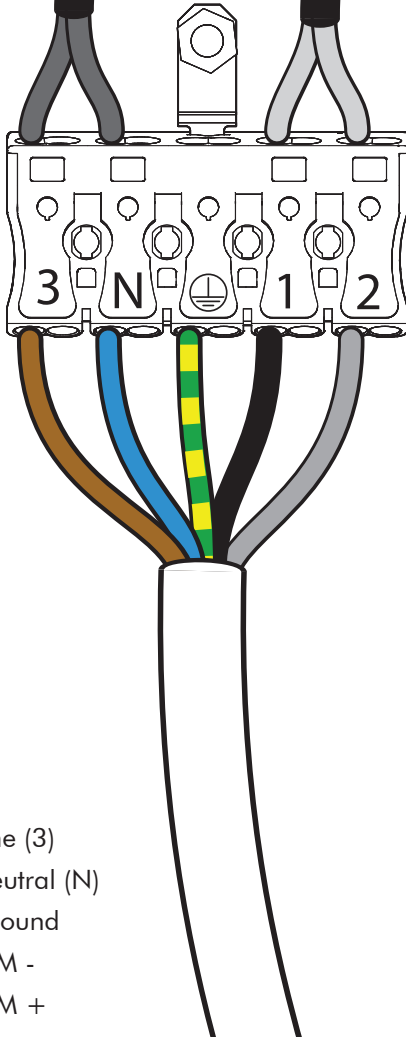
10



11a

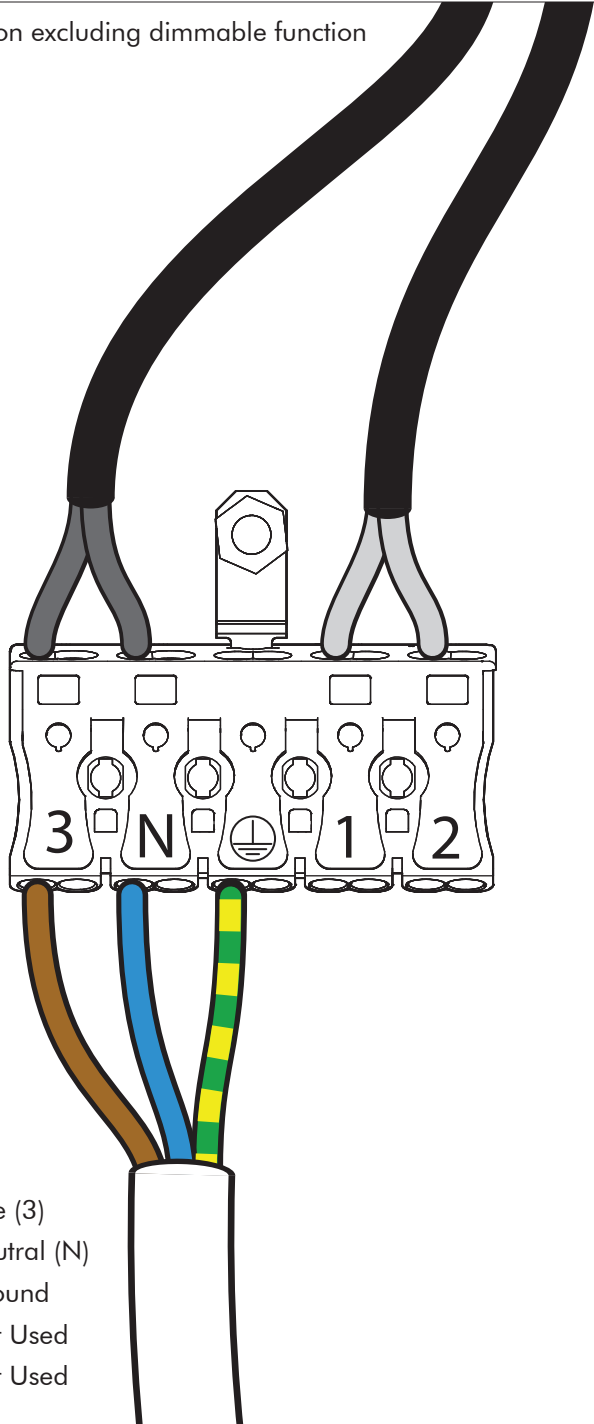


Connection including dimmable function



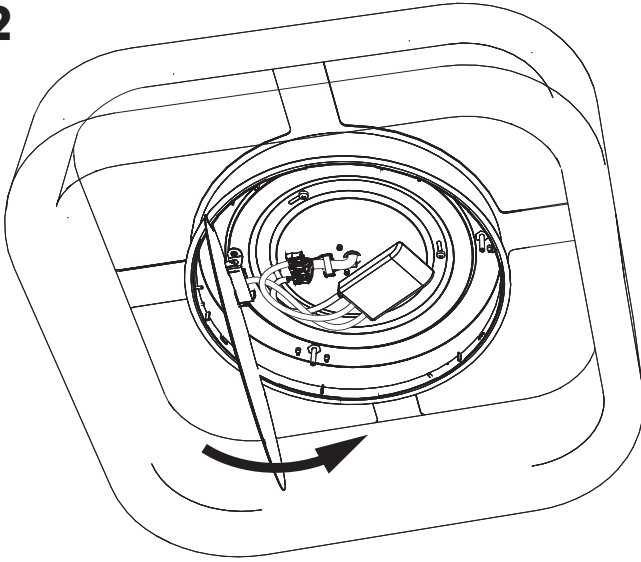
- | | |
|-------|-------------|
| Brown | Line (3) |
| Blue | Neutral (N) |
| Green | Ground |
| Black | DIM - |
| Grey | DIM + |

11b Connection excluding dimmable function



- | | |
|-------|-------------|
| Brown | Line (3) |
| Blue | Neutral (N) |
| Green | Ground |
| 1 | Not Used |
| 2 | Not Used |

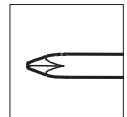
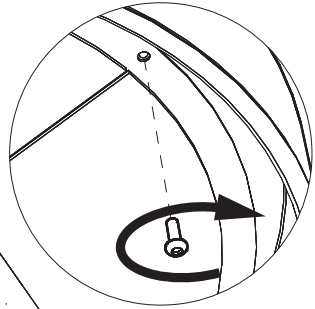
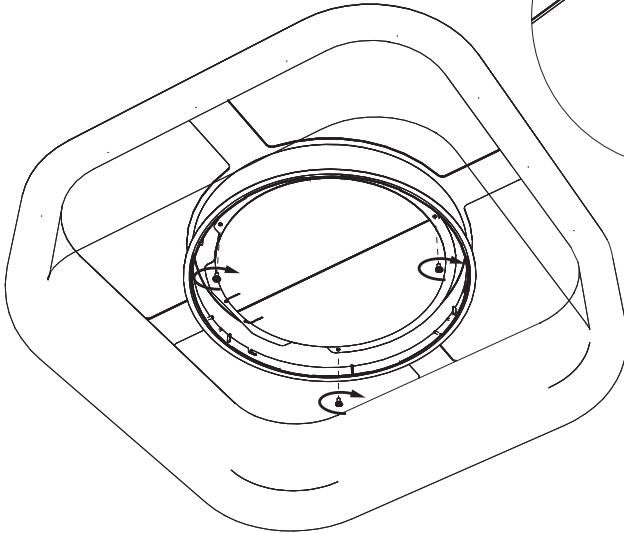
12



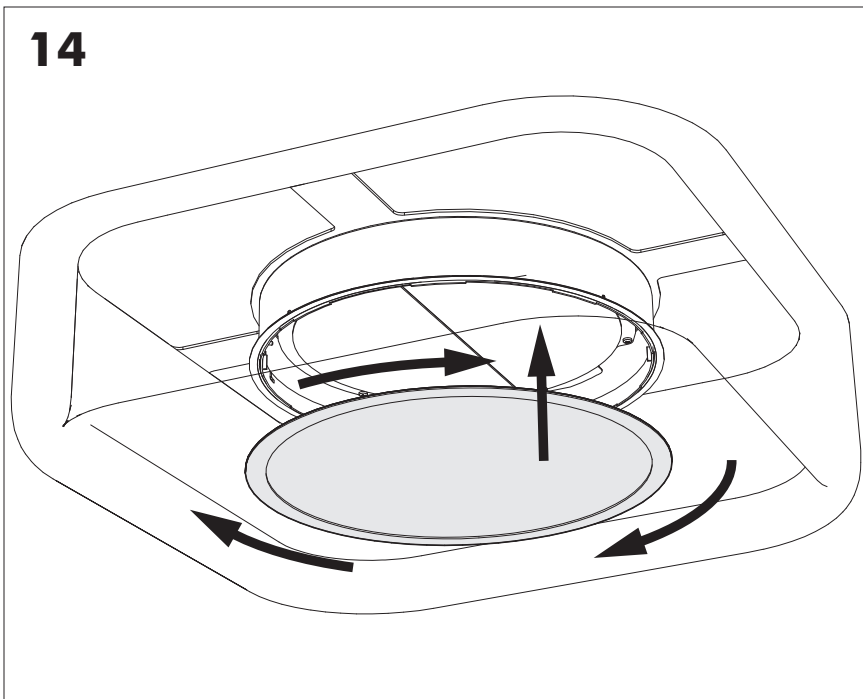
**DO NOT
TOUCH LED**

**! Make sure wires are not pinched in-between during this step !
! Assurez-vous que les fils ne sont pas pincés pendant cette étape !**

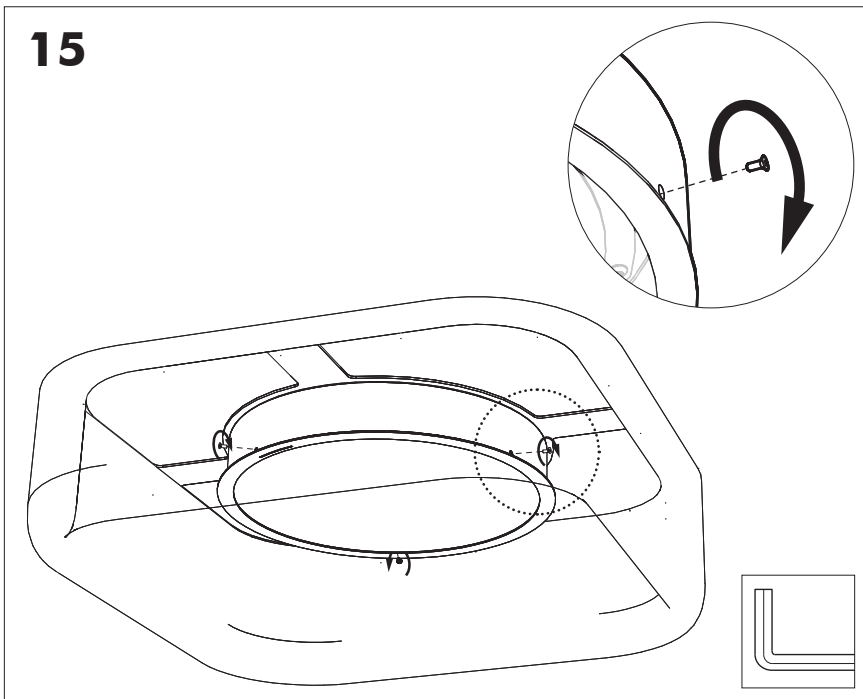
13



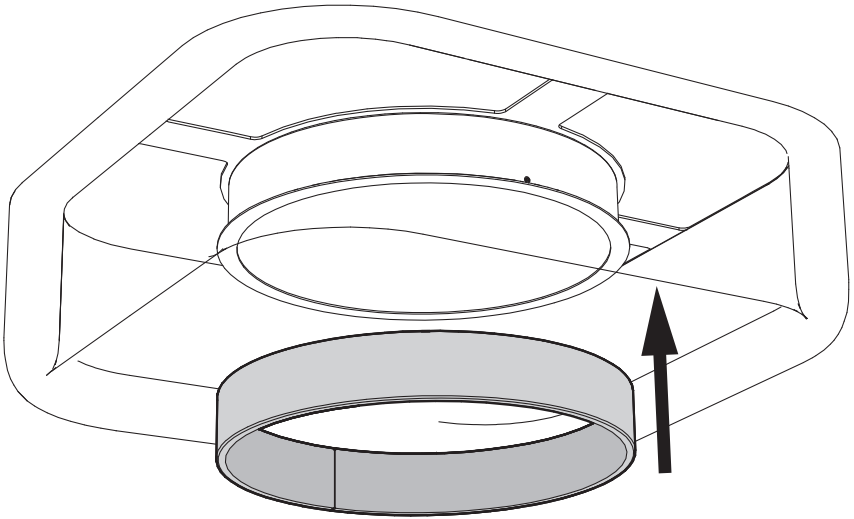
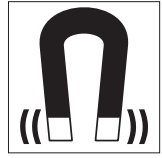
14



15



16



BuzziSpace Group NV
Italiëlei 8, 2000 Antwerp
Belgium

☎ +32 (0)3 846 10 00

✉ info@buzzi.space

🌐 www.buzzi.space



A-0000007882/02
Last update: 21/08/2024