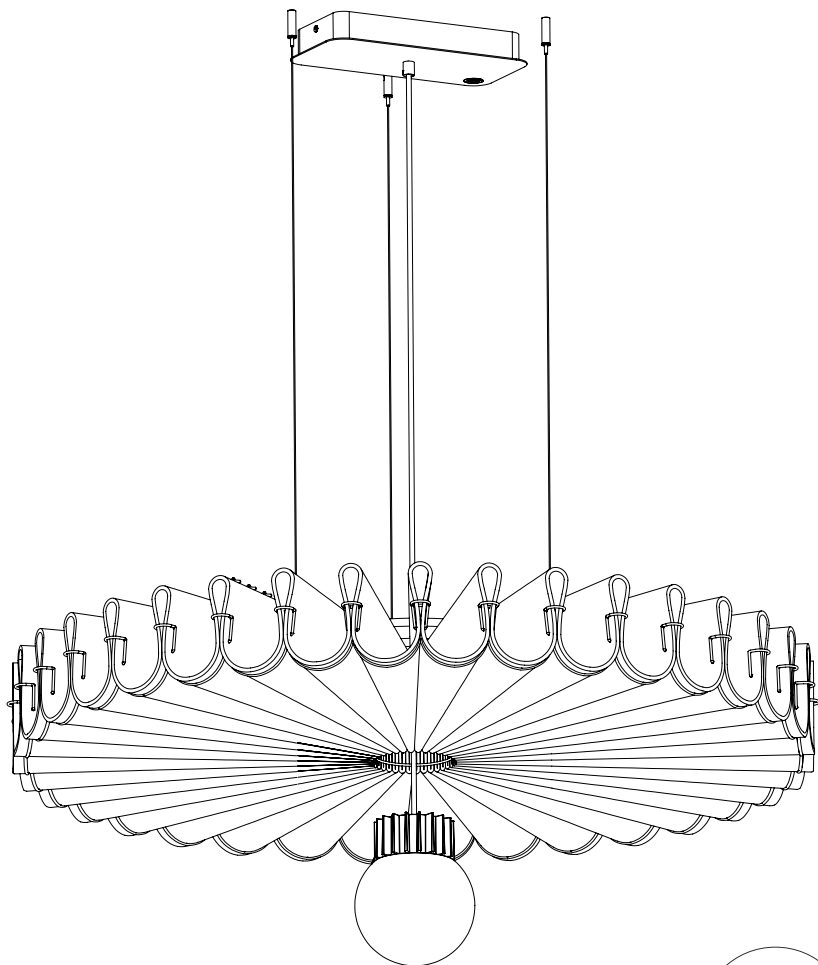


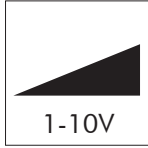
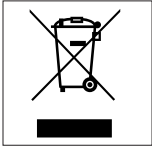
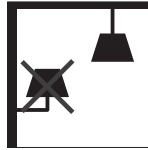
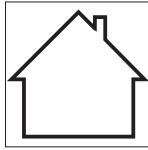
BuzziPleat Light

INSTALLATION MANUAL

220-240V



Technical info



OR



Environmental Protection

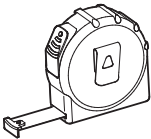
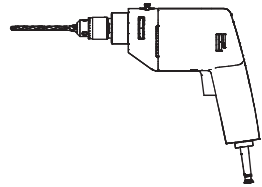
Waste electrical products should not be disposed of with household waste. Please recycle where facilities exist. Check with your Local Authority or retailer for recycling advice.

⚠ The light source of this luminaire is not replaceable; when the light source reaches its end of life the whole luminaire shall be replaced.

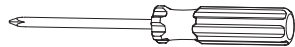
Excluded



5x
Long 6x

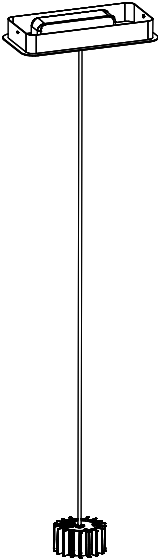
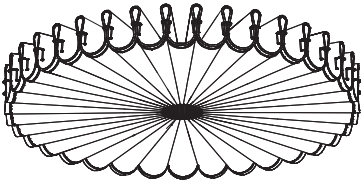


2x

A simple line drawing of a screw.

Included BuzziPleat Light Ripple | Edel

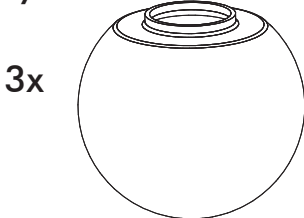
BuzziPleat Ripple



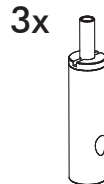
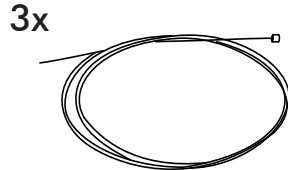
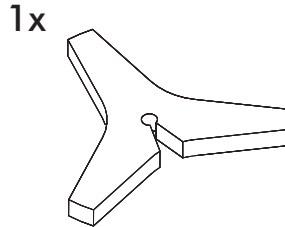
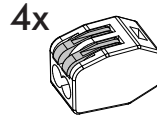
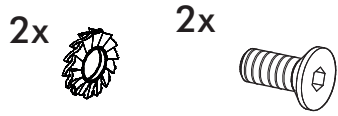
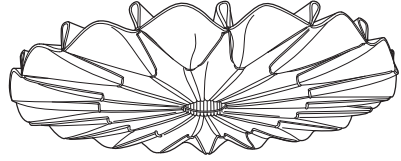
Only if Spot



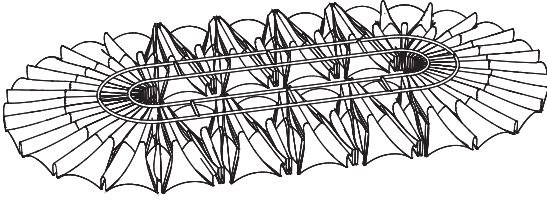
Only if Globe



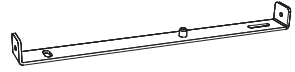
BuzziPleat Edel



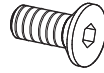
Included BuzziPleat Light Edel Long Trio



1x



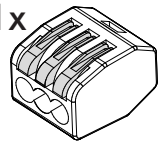
2x



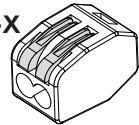
2x



1x

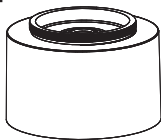


4x



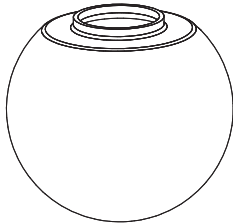
Only if Spot

3x



Only if Globe

3x



6x



2x



6x

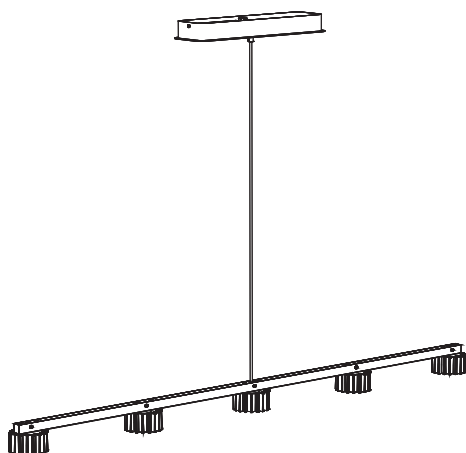
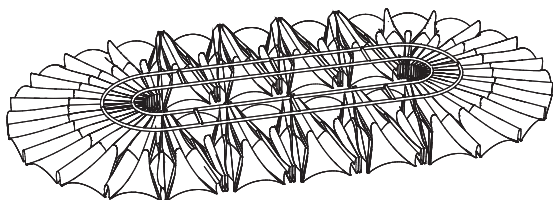


6x

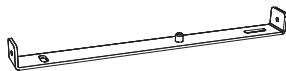
M6



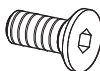
Included BuzziPleat Light Edel Long Quintet



1x



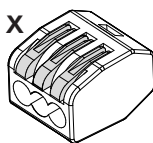
2x



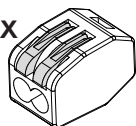
2x



1x

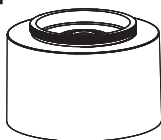


4x



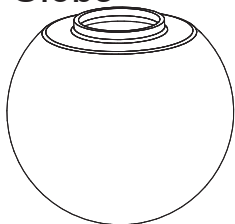
Only if Spot

5x



Only if Globe

5x



6x



2x



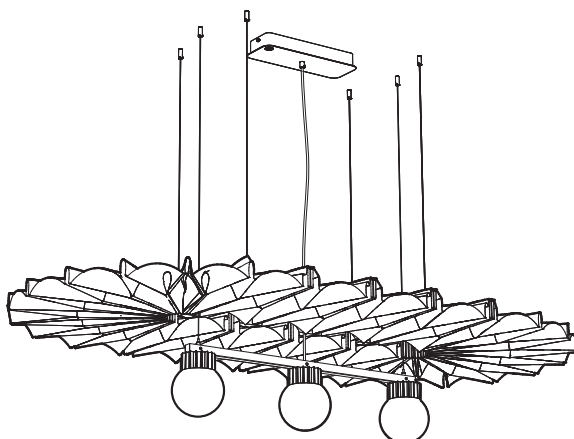
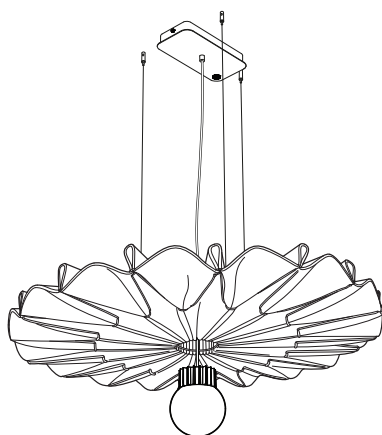
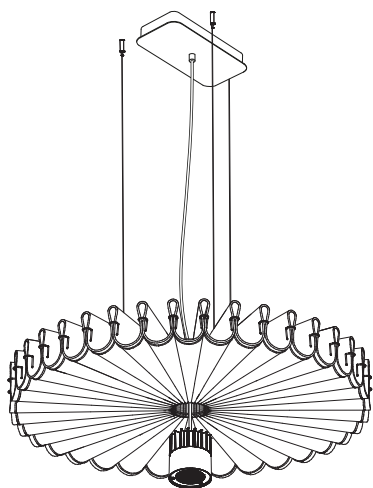
6x



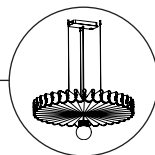
6x

M6

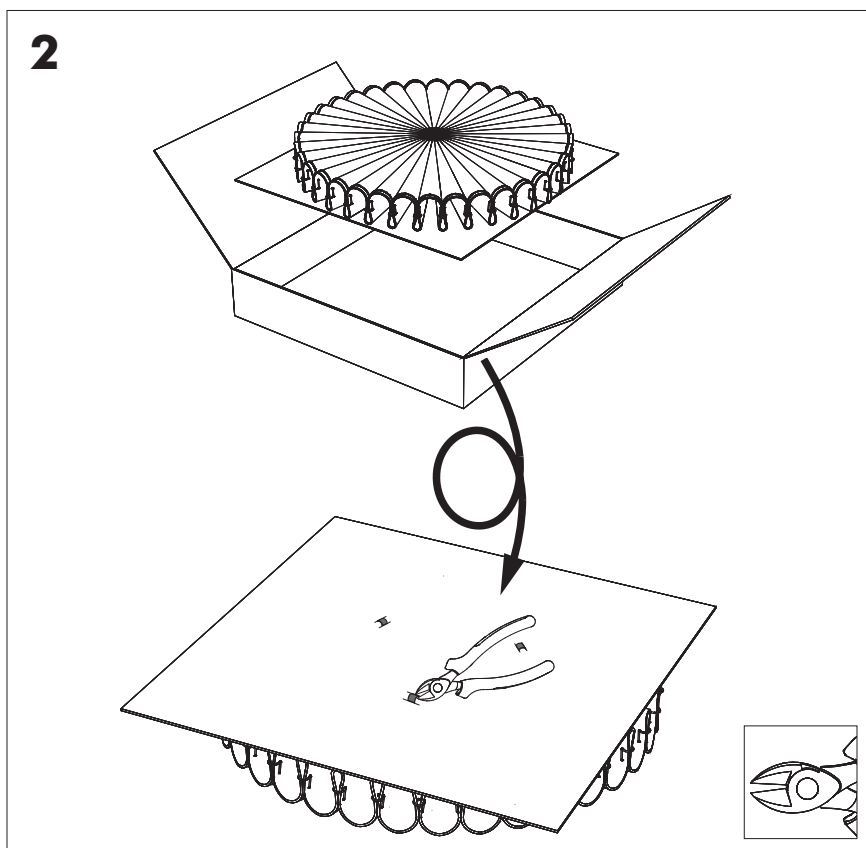
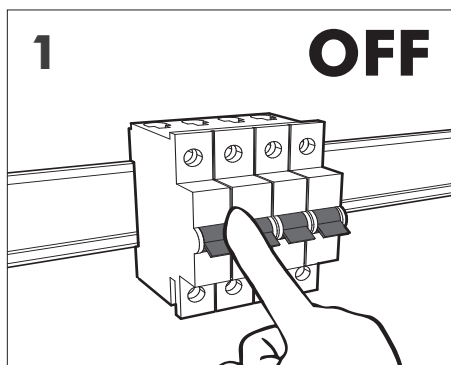




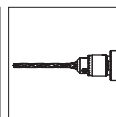
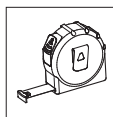
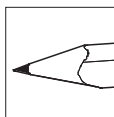
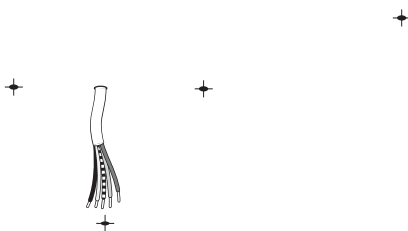
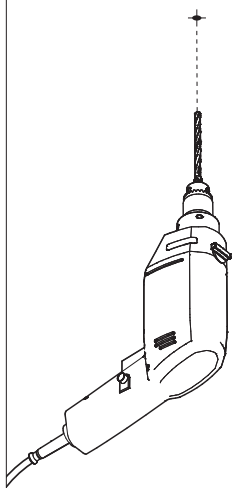
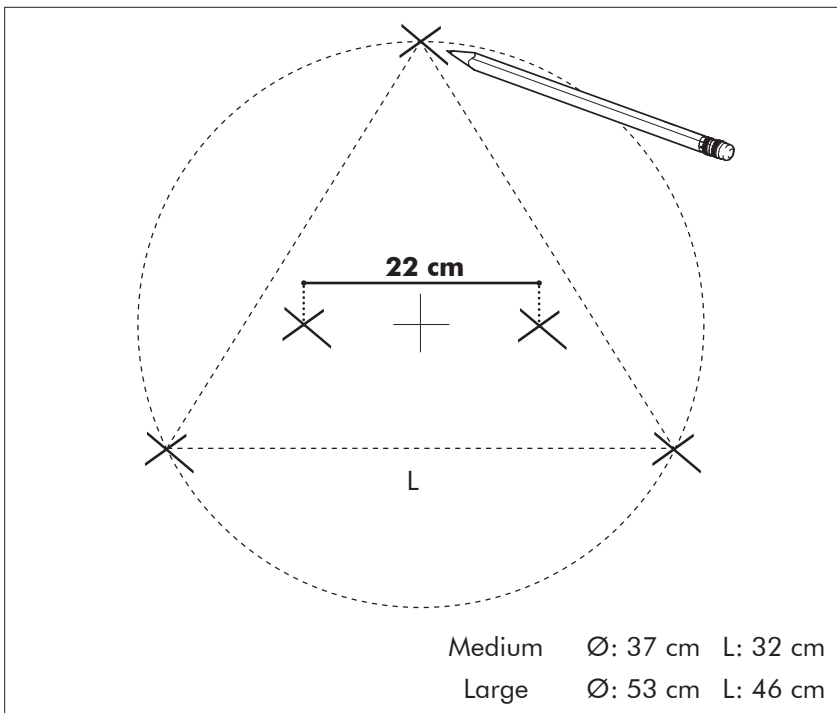
BuzziPleat Light Ripple | Edel



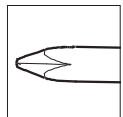
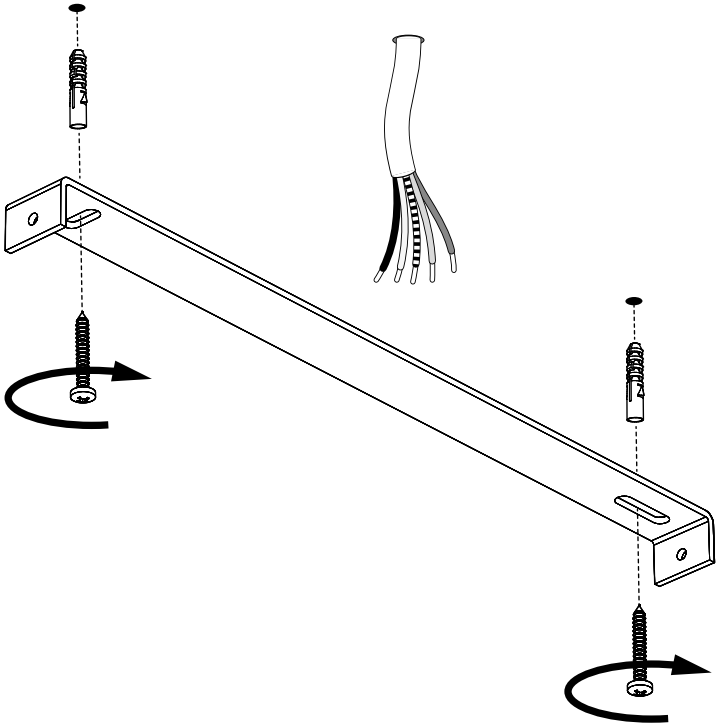
2 PERS. 



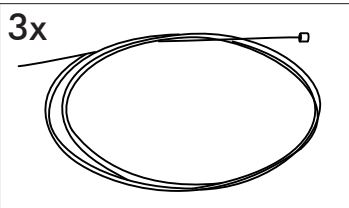
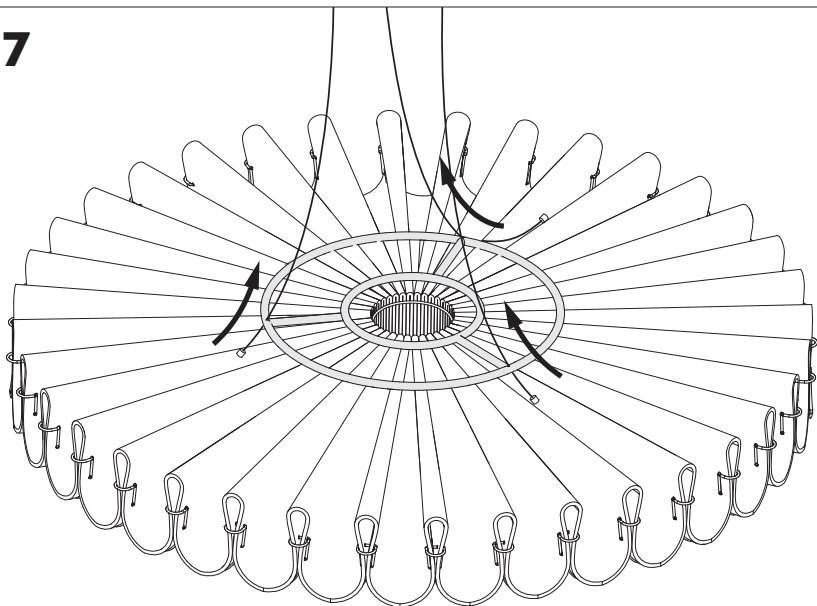
3



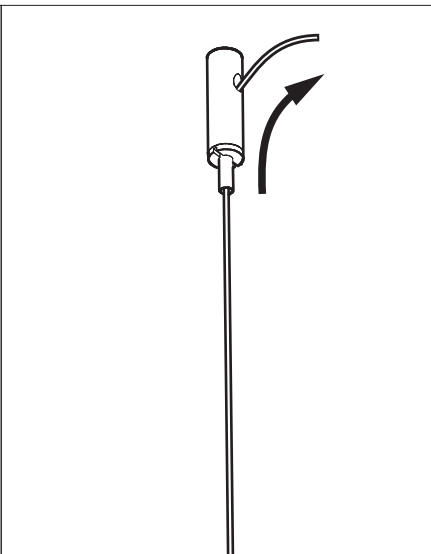
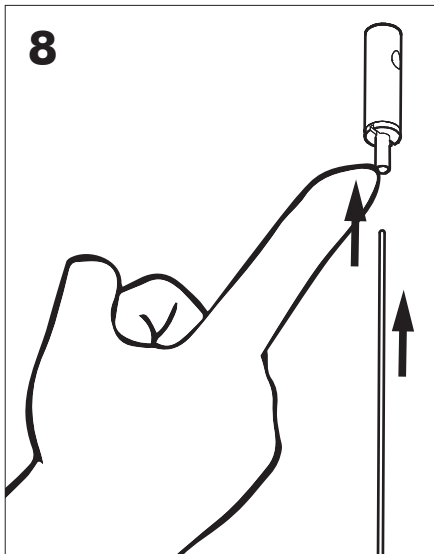
6



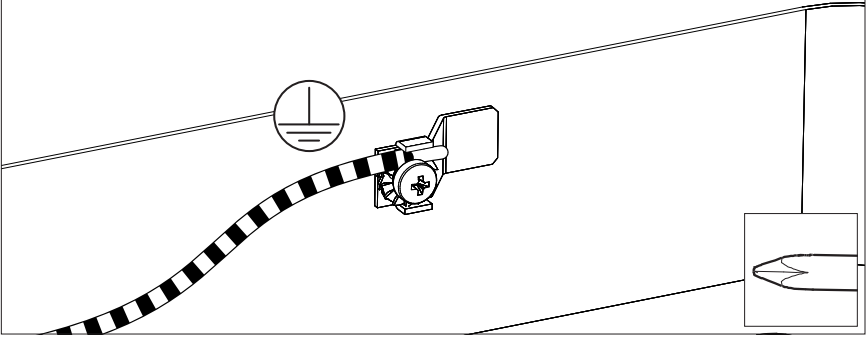
7



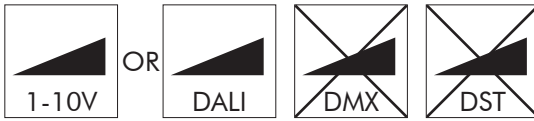
8



9



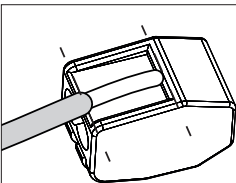
10a



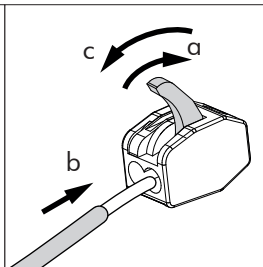
Connection including dimmable function

Dim+
Dim-

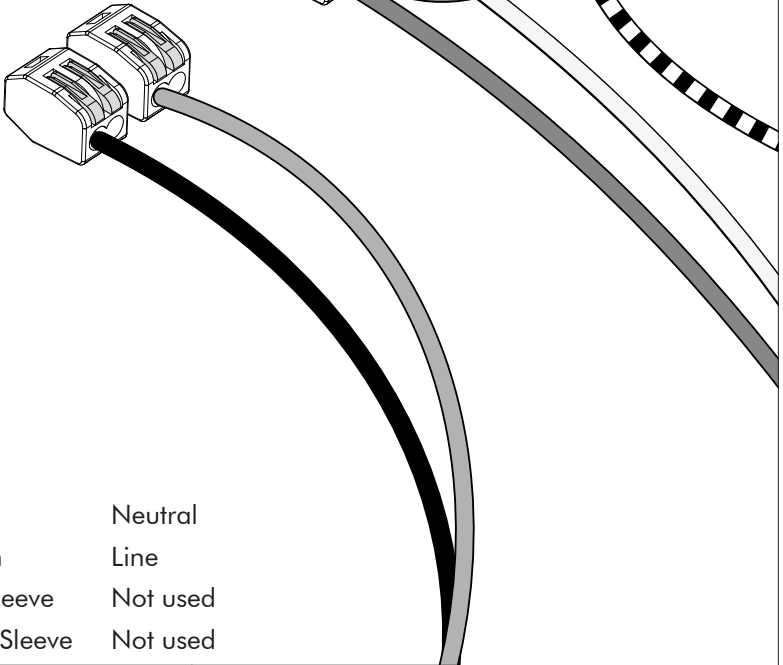
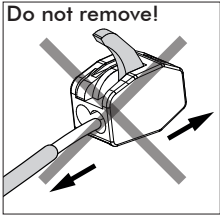
Blue Neutral
Brown Line
Red Sleeve DIM +
Black Sleeve DIM -



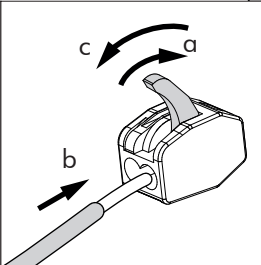
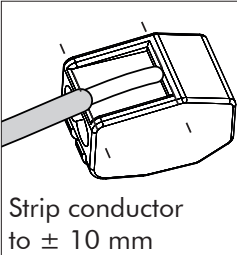
Strip conductor
to ± 10 mm



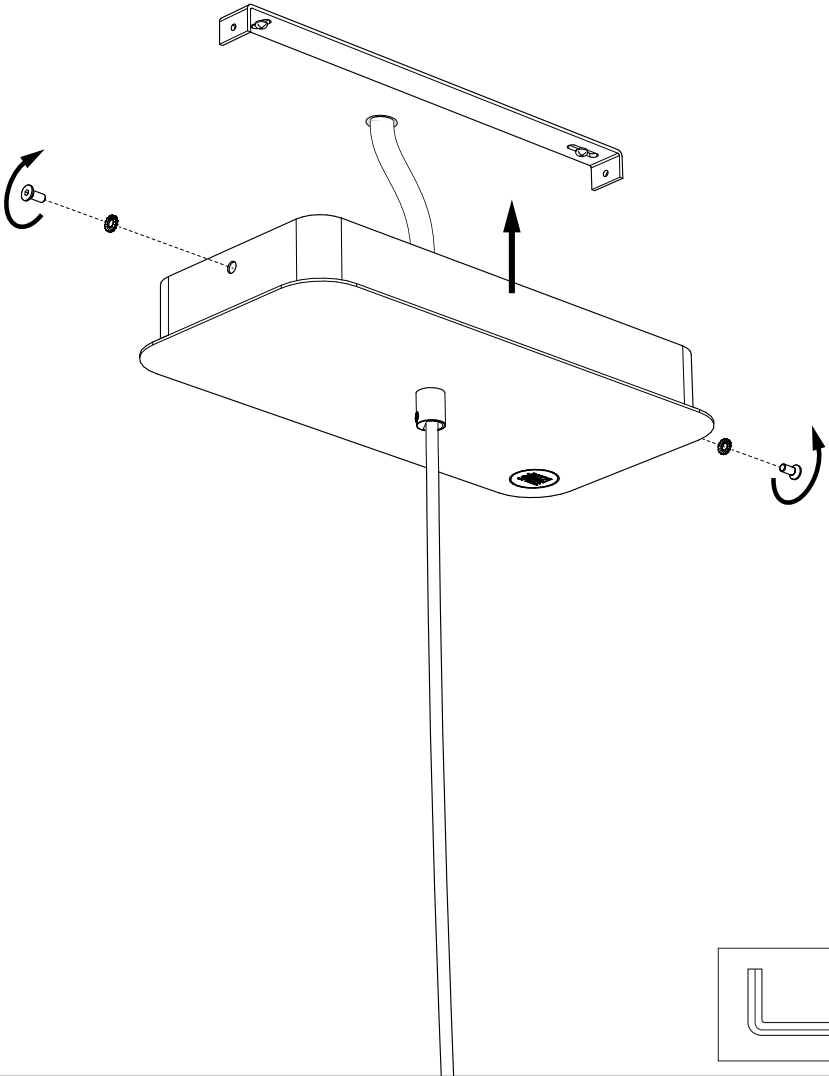
10b Connection excluding dimmable function



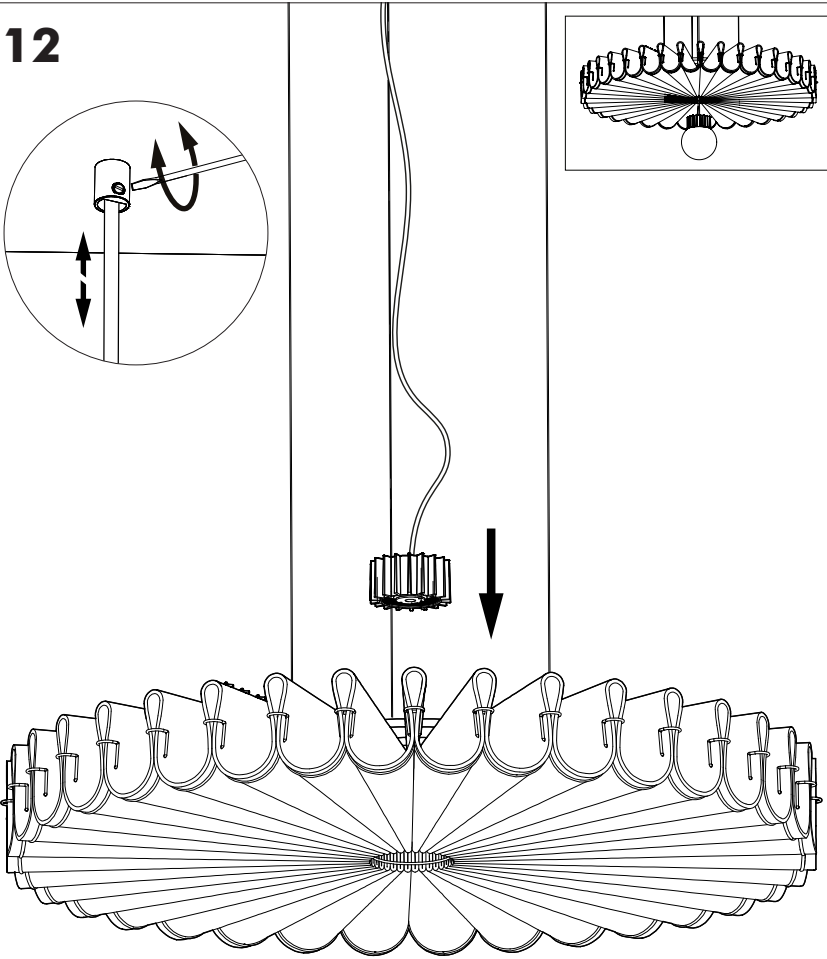
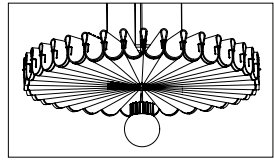
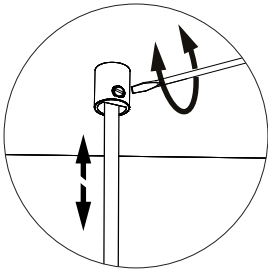
Blue	Neutral
Brown	Line
Red Sleeve	Not used
Black Sleeve	Not used



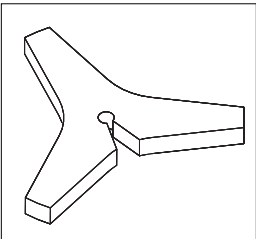
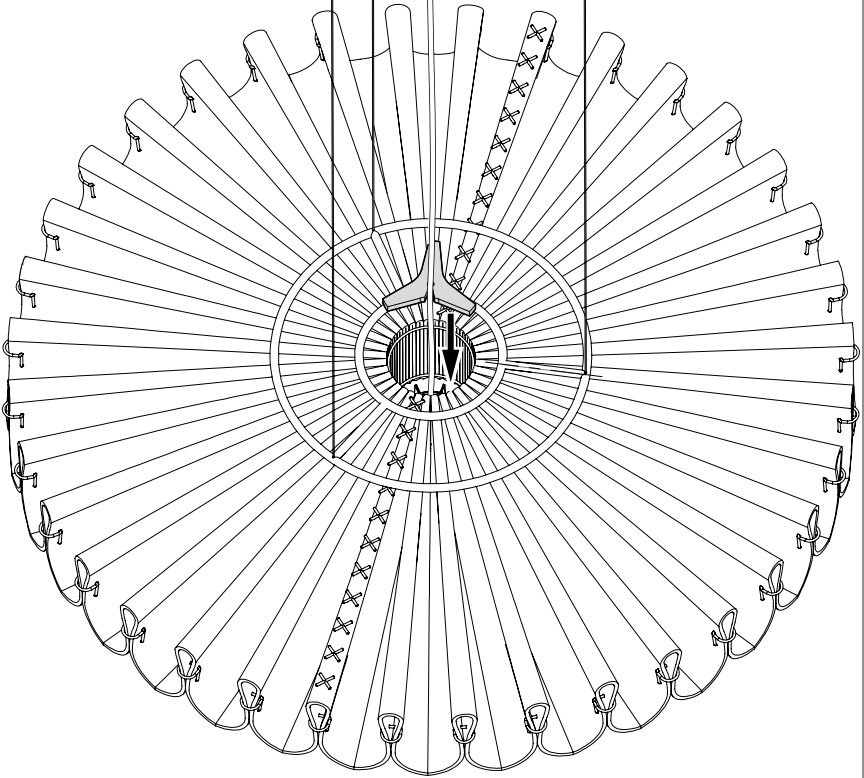
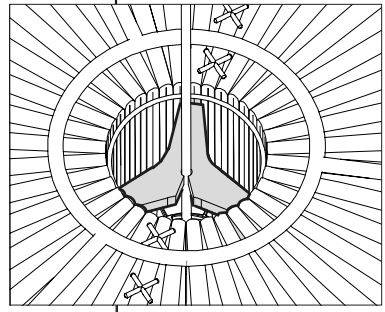
11



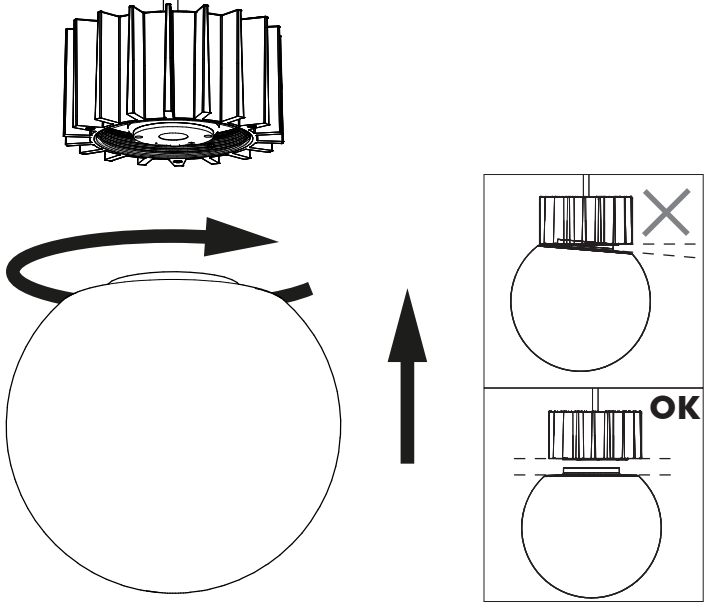
12



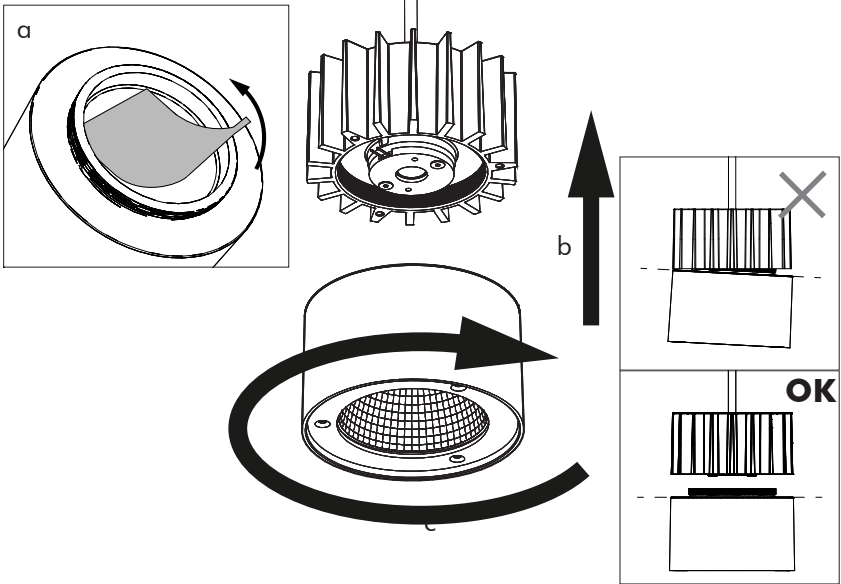
13

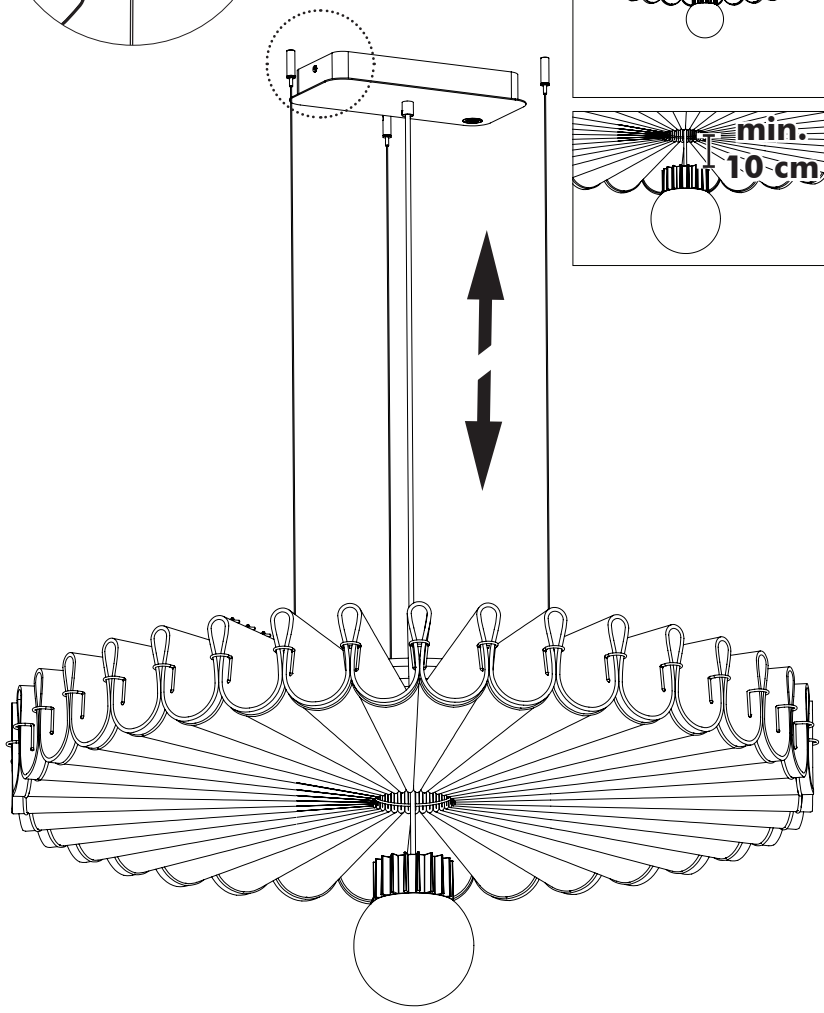
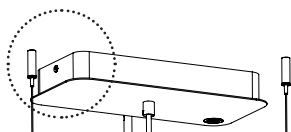
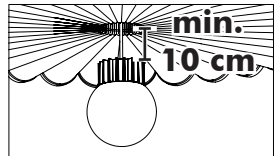
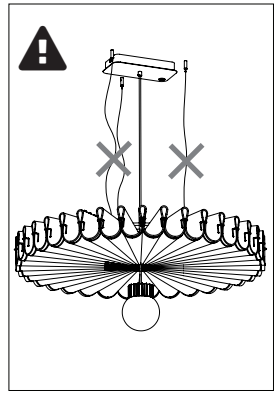
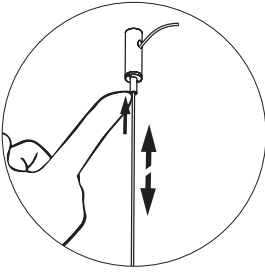


14 Globe

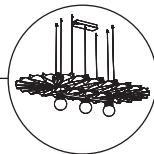


Spot

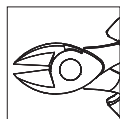
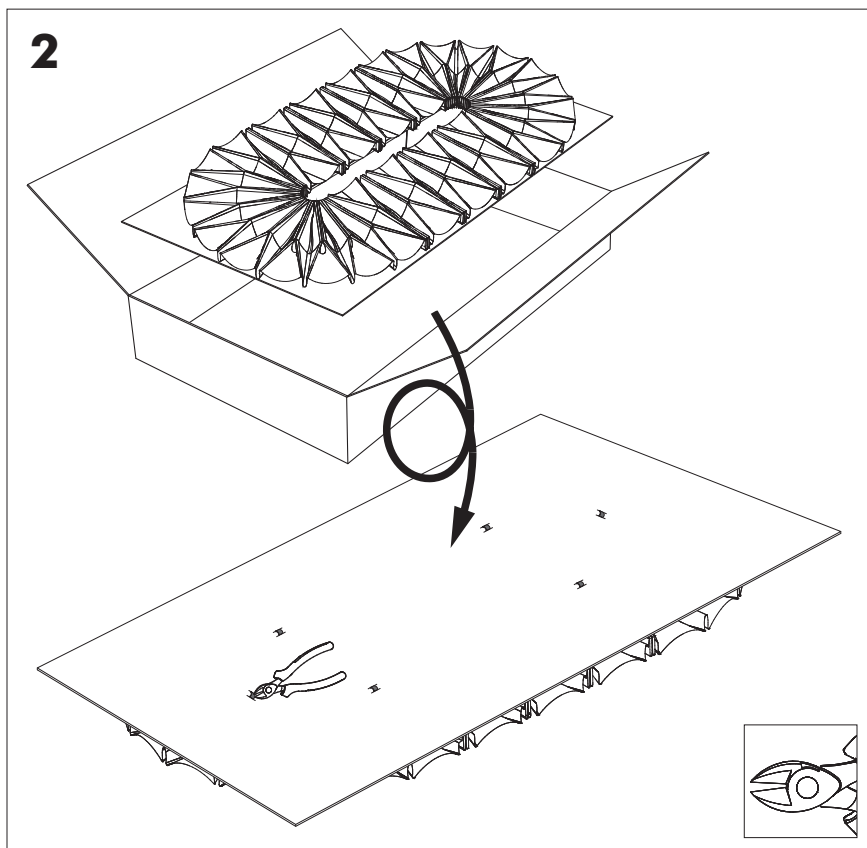
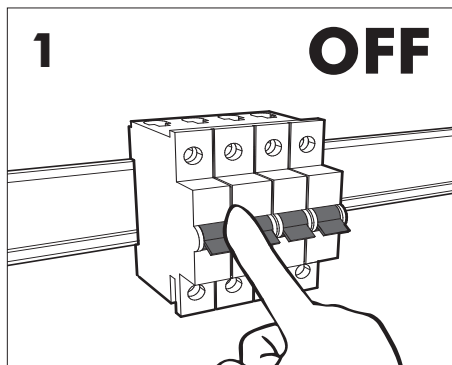




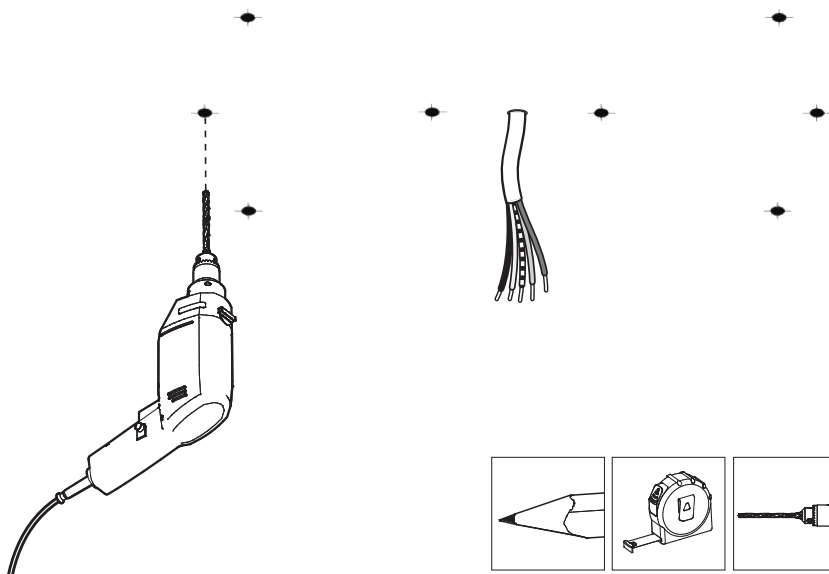
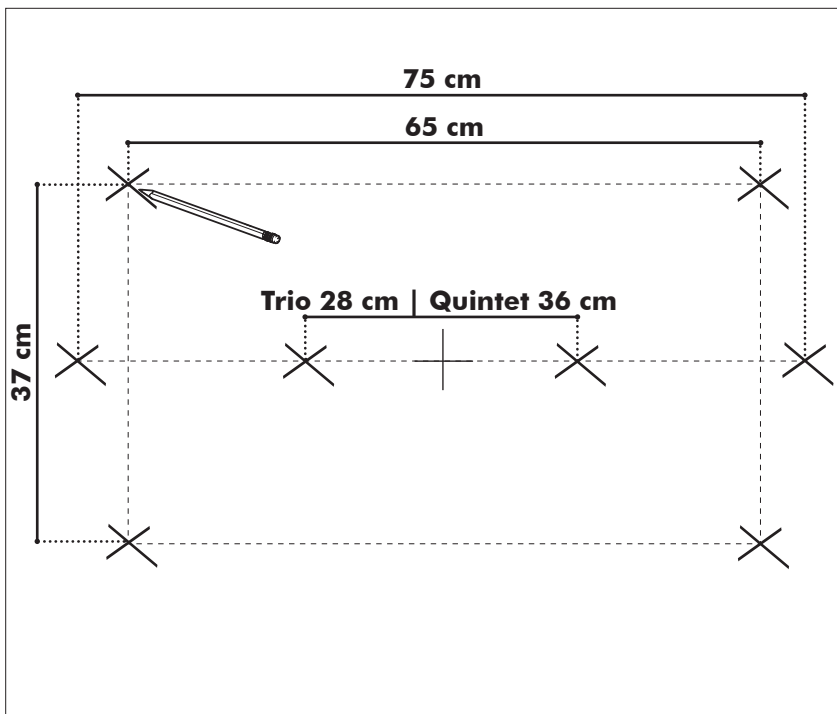
BuzziPleat Ligth Edel Long



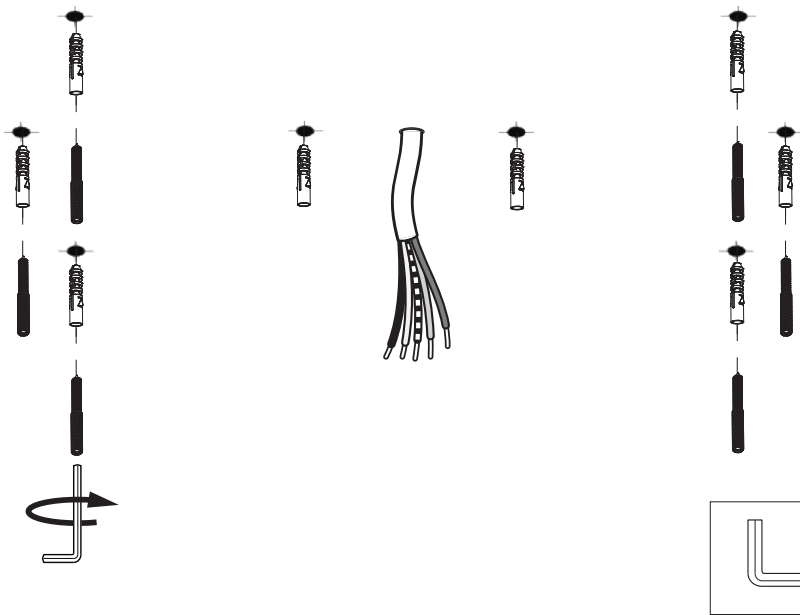
2 PERS. 



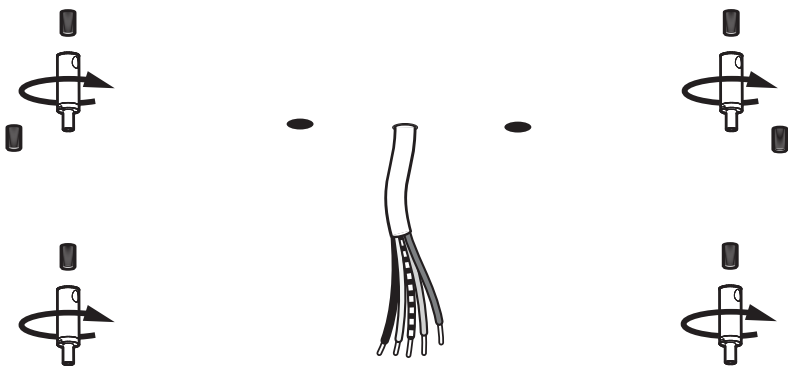
3



4

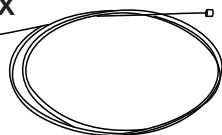


5

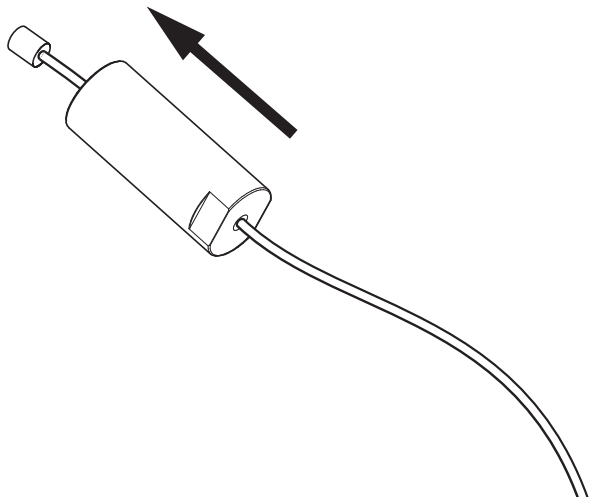


6

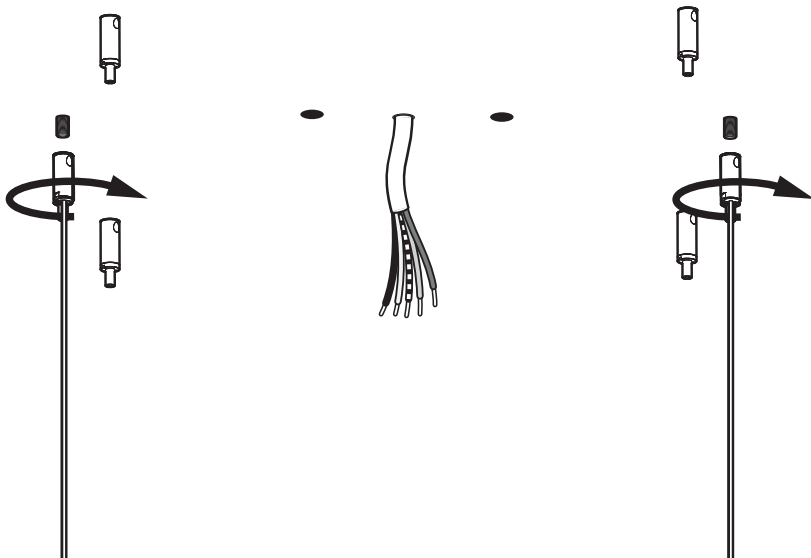
2x



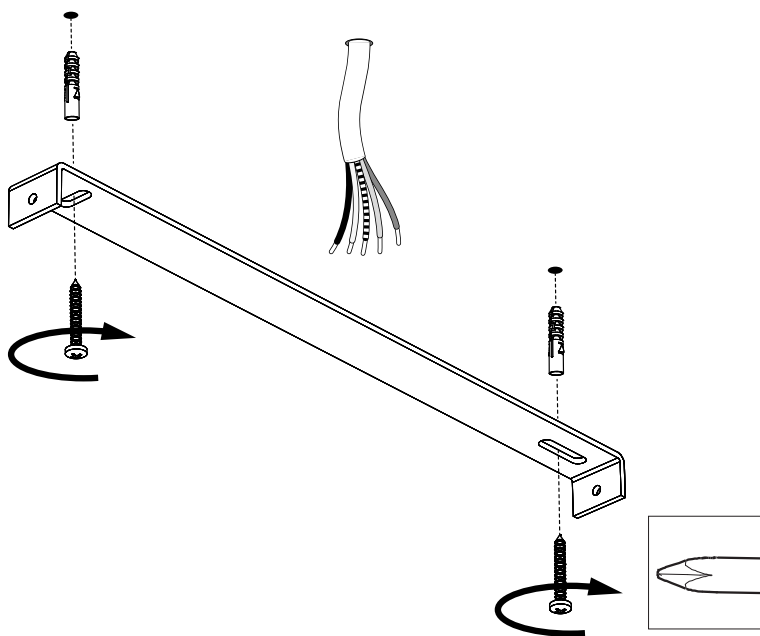
2x



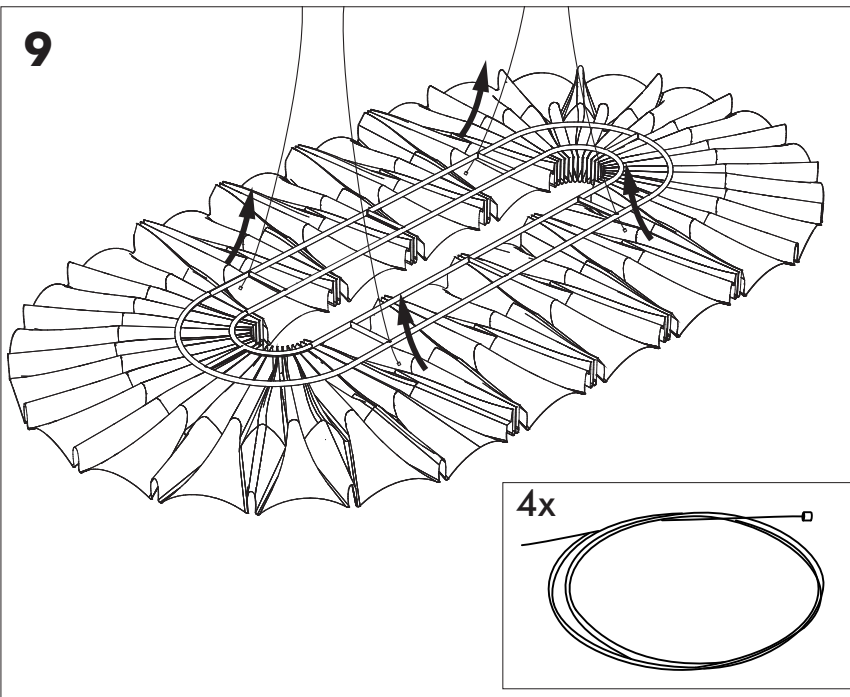
7



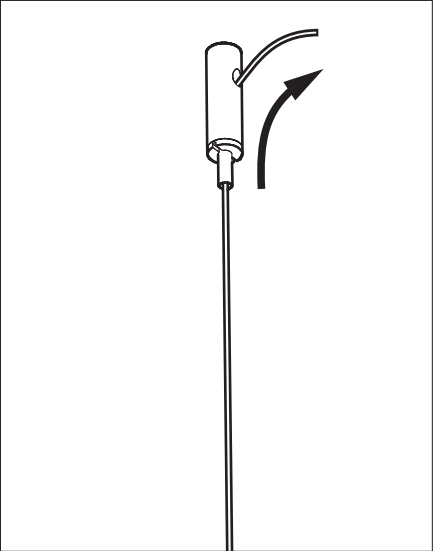
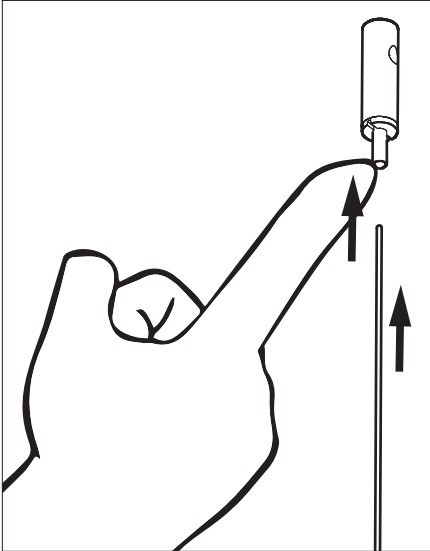
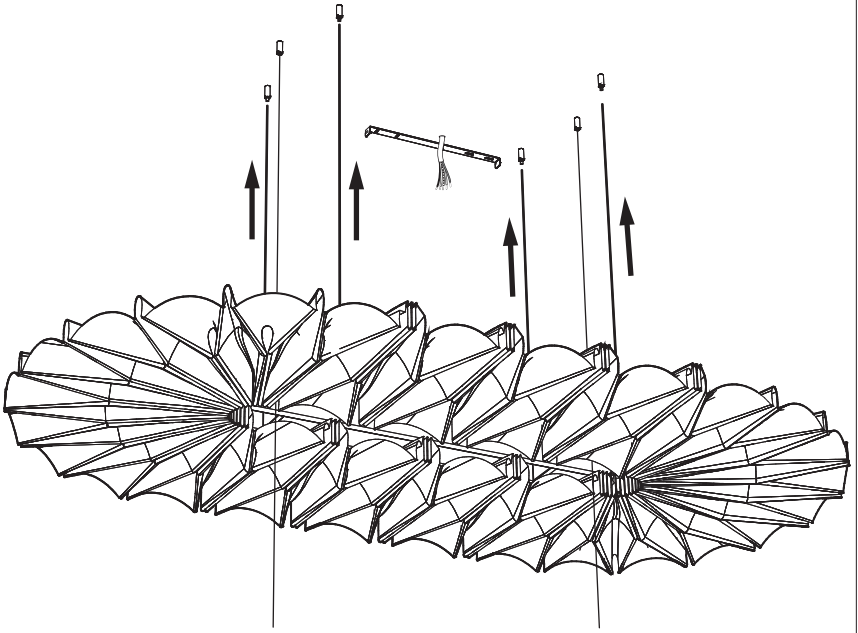
8



9

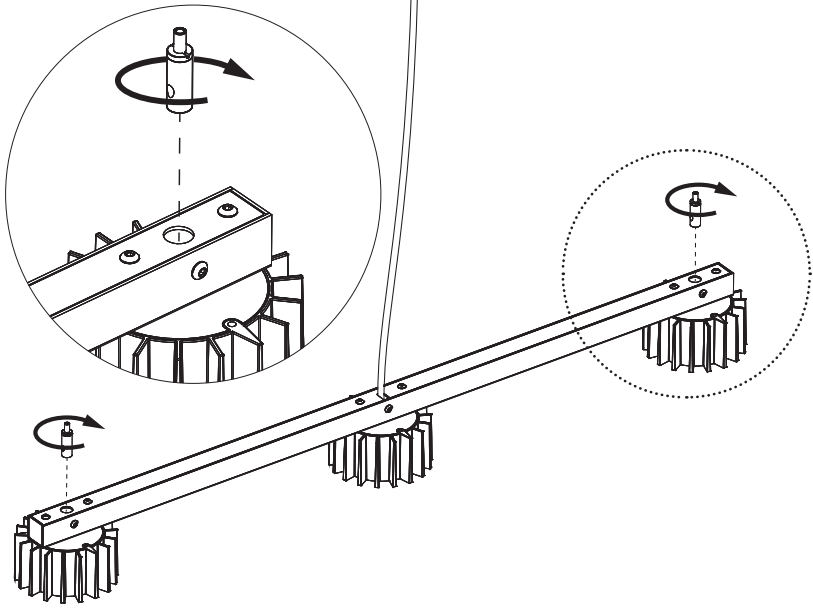


10

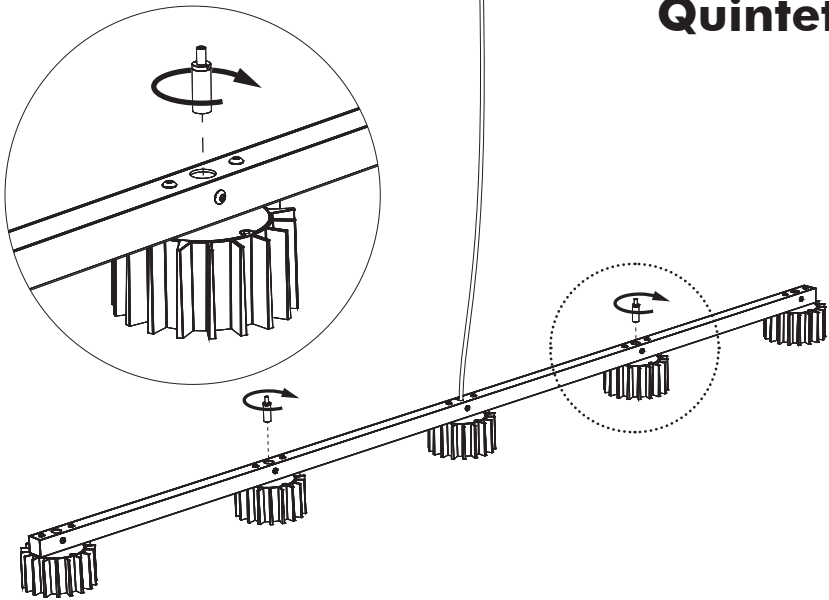


11

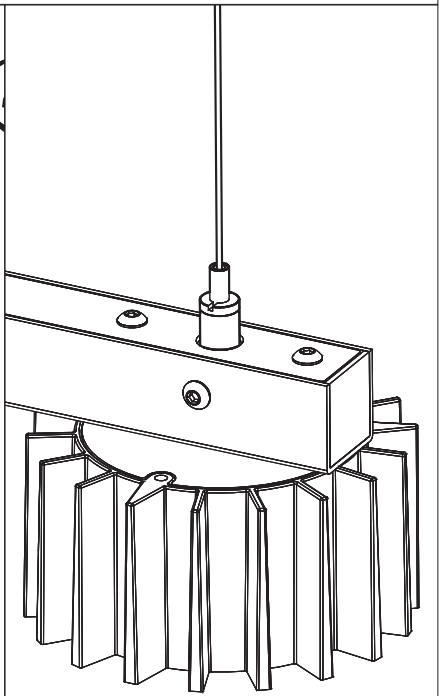
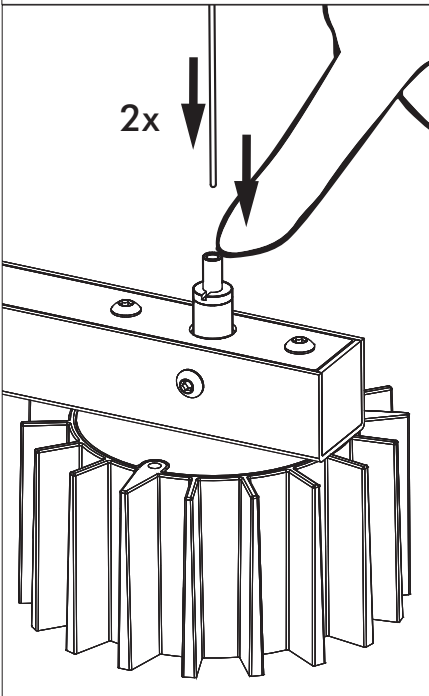
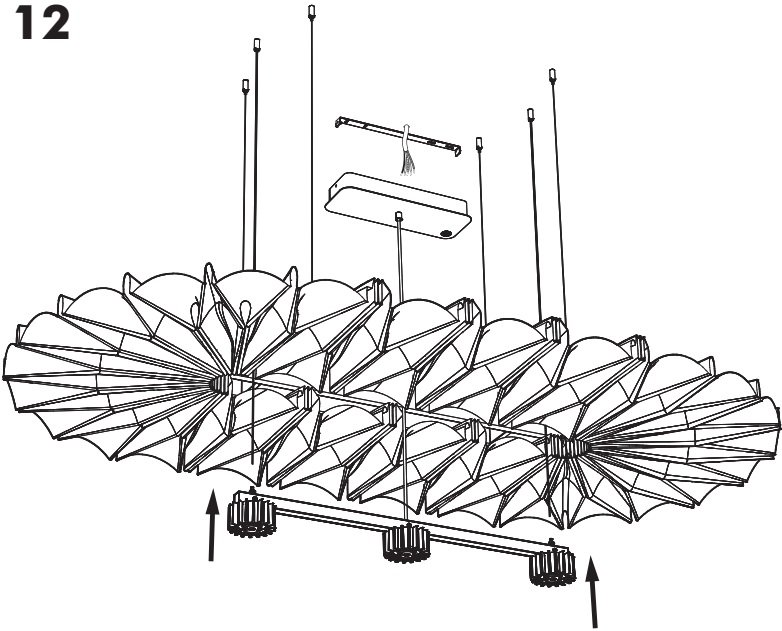
Trio



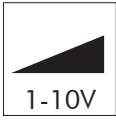
Quintet



12



13a



1-10V



DALI

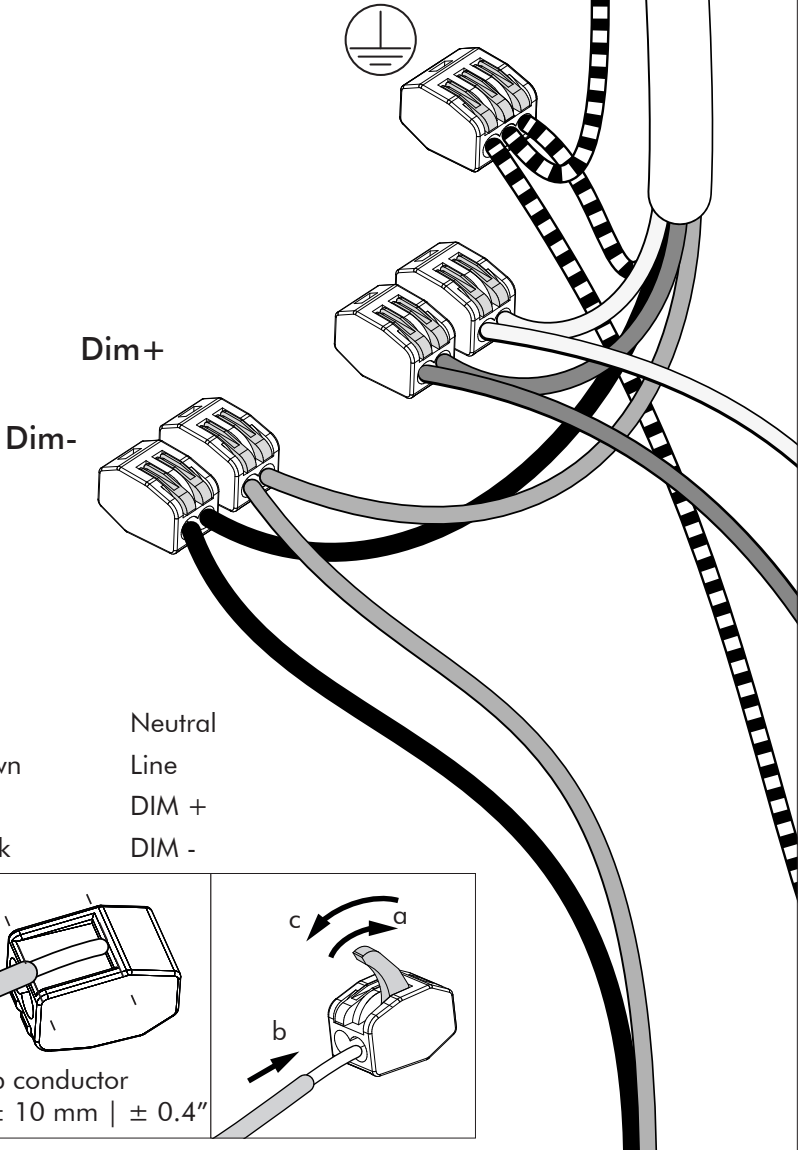


DMX

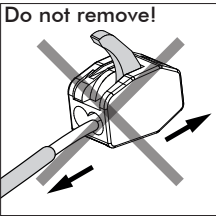
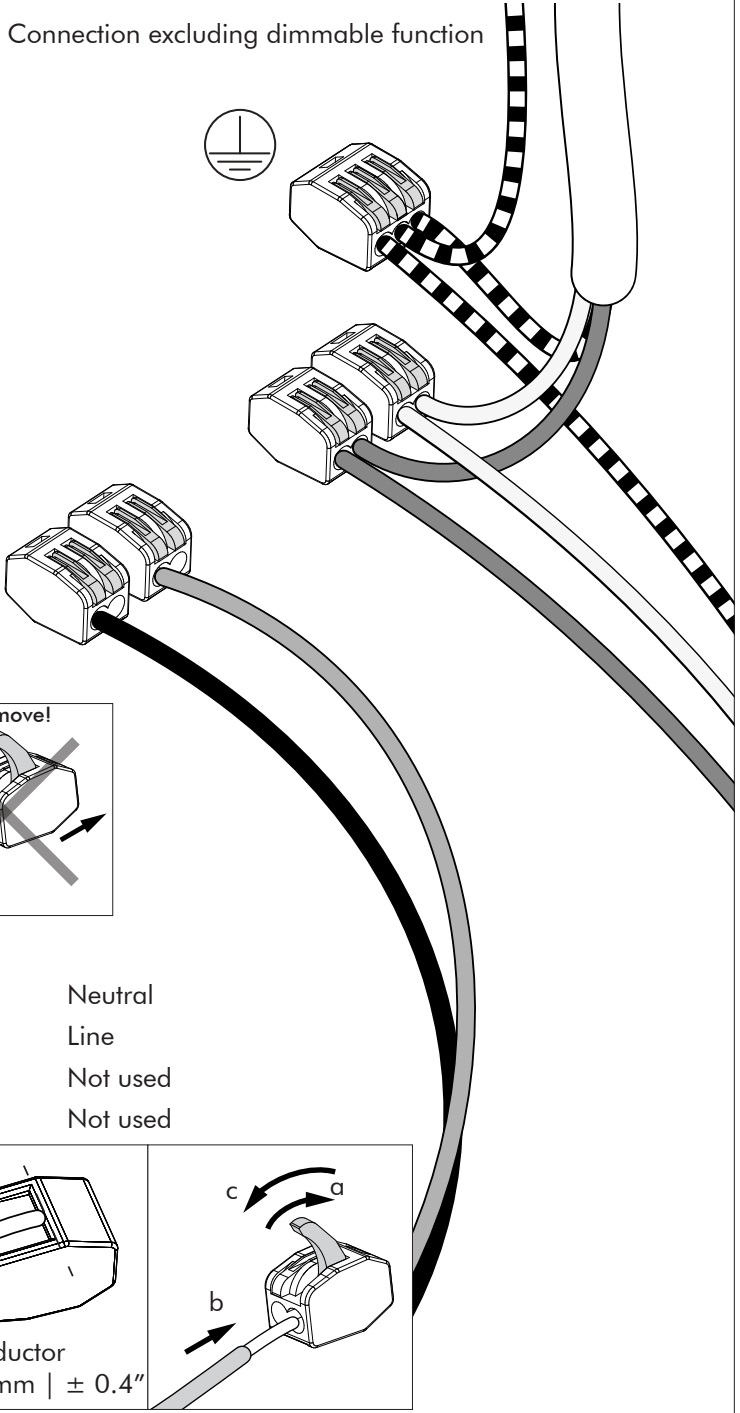


DST

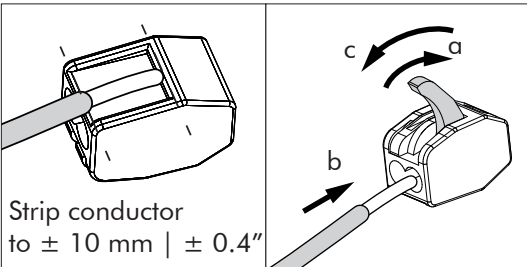
Connection including dimmable function



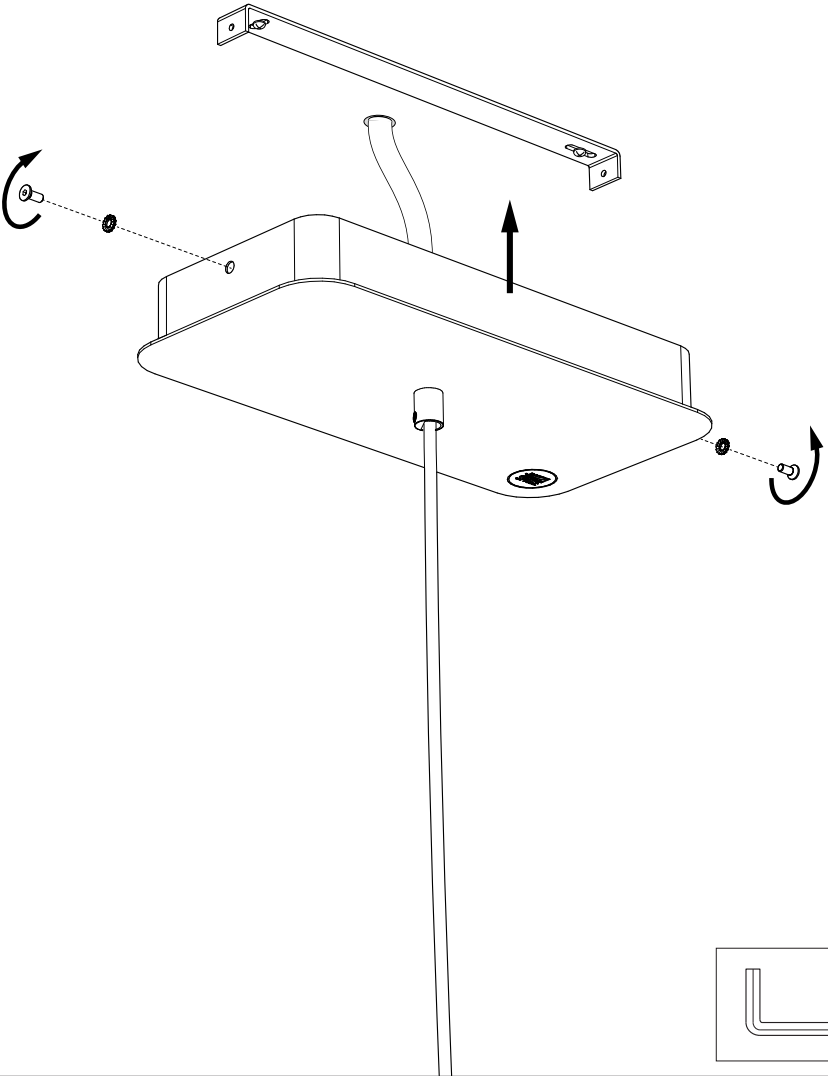
13b Connection excluding dimmable function



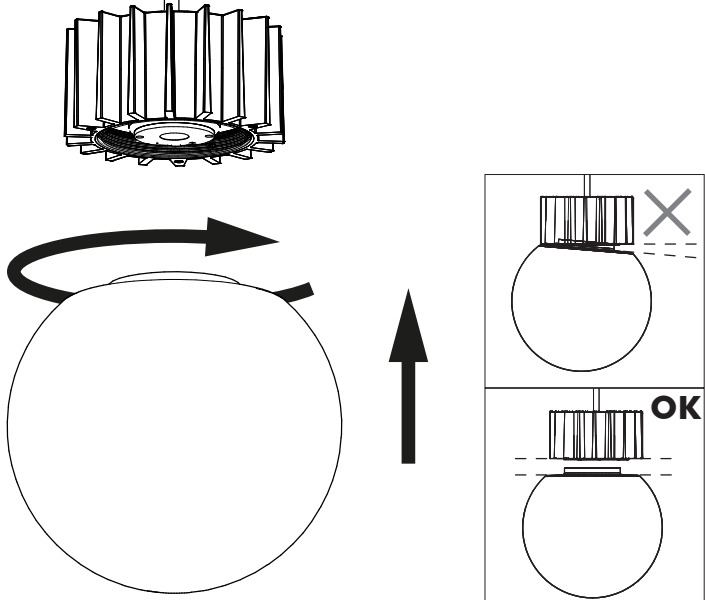
Blue	Neutral
Brown	Line
Red	Not used
Black	Not used



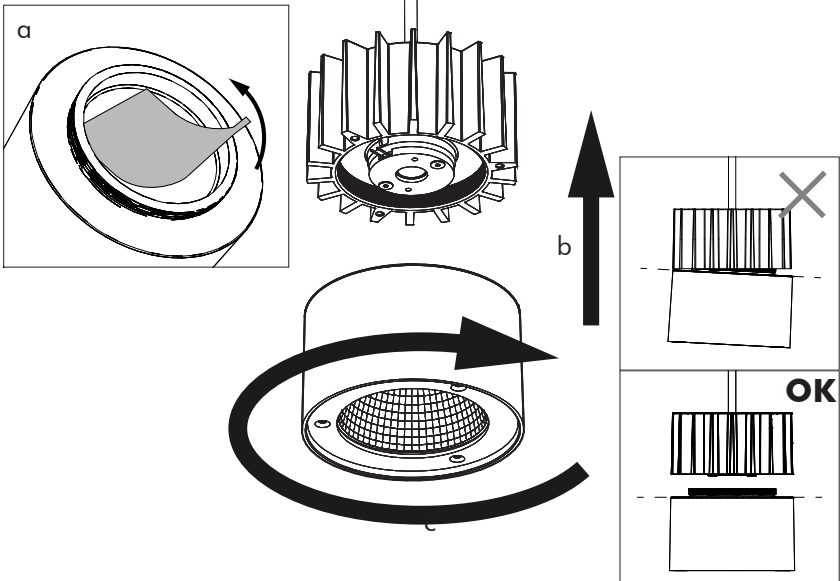
14



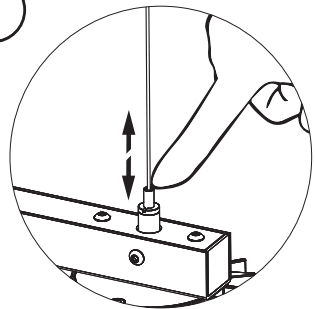
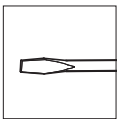
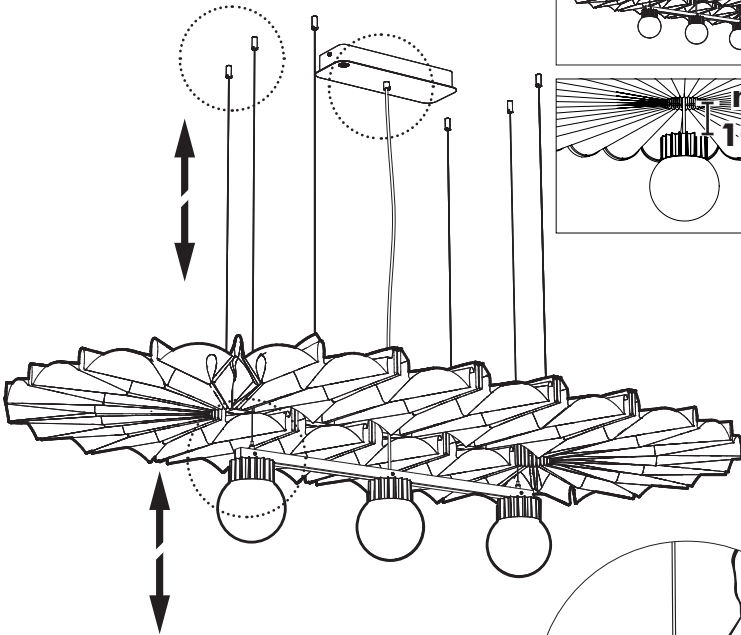
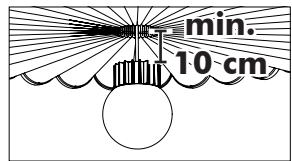
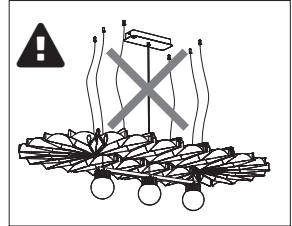
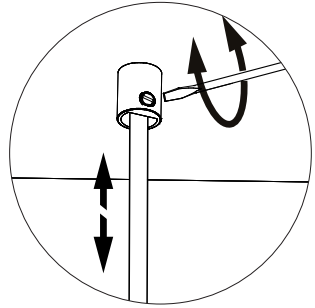
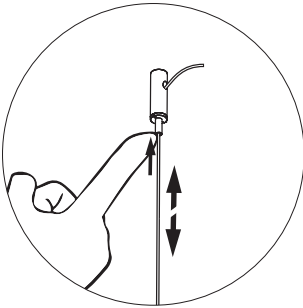
15 Globe



Spot



!



BuzziSpace Group NV
Italiëlei 8, 2000 Antwerp
Belgium

☎ +32 (0)3 846 10 00

✉ info@buzzi.space

🌐 www.buzzi.space



Doc nr.: A-0000003381/08

Last update: 10/09/2024